

RWTH Aachen University
Software Engineering



Architecture and Behavior Modeling of
Cyber-Physical Systems with MontiArcAutomaton

Jan Oliver Ringert
Bernhard Rumpe
Andreas Wortmann

RWTHAACHEN
UNIVERSITY

SE SOFTWARE
ENGINEERING

February 27, 2015



[RRW14a] J. O. Ringert, B. Rumpe, A. Wortmann:
Architecture and Behavior Modeling of Cyber-Physical Systems with MontiArcAutomaton.
In: Aachener Informatik-Berichte, Software Engineering, Band 20. ISBN 978-3-8440-3120-1. Shaker Verlag, 2014.
<https://www.se-rwth.de/publications/>

Abstract

This book presents MontiArcAutomaton, a modeling language for architecture and behavior modeling of Cyber-Physical Systems as interactive Component & Connector models. MontiArcAutomaton extends the Architecture Description Language MontiArc with automata to describe component behavior.

The modeling language MontiArcAutomaton provides syntactical elements for defining automata with states, variables, and transitions inside MontiArc components. These syntactical elements and a basic set of well-formedness rules provide the syntax for a family of modeling languages for state-based behavior modeling in Component & Connector architectures. We present two concrete language profiles with additional well-formedness rules to model time-synchronous component behavior and untimed, event-driven behavior of components.

This book gives an overview of the MontiArcAutomaton language including examples, a language reference, and a context-free grammar for MontiArcAutomaton models. It also provides syntax definition, well-formedness rules, and semantics for two language profiles. We summarize projects and case studies applying MontiArcAutomaton.

MontiArcAutomaton is implemented using the DSL framework MontiCore. Available tools include a textual editor with syntax highlighting and code completion as well as a graphical editor and a powerful and extensible code generation framework for target languages including EMF, Java, Mona, and Python.

Contents

1. Introduction	1
2. The Architecture Description Language MontiArc	3
2.1. Applications and Extensions of MontiArc	5
3. MontiArcAutomaton Example and Overview	7
3.1. Related Modeling Languages	10
4. A MontiArcAutomaton Language Profiles and Semantics	13
4.1. Language Profile for Time-Synchronous Communication	14
4.2. A Language Profile for Event-Driven Automata	16
5. MontiArcAutomaton Language Reference	19
5.1. Automaton Declarations	19
5.2. Variables	19
5.3. Values and Sequences	20
5.4. State Declarations	21
5.4.1. Initial States and Initial Outputs	22
5.5. Transitions	23
5.5.1. Guard Expressions over Ports and Variables	24
5.5.2. Input on Ports and Current Variable Values	24
5.5.3. Output on Ports	26
5.5.4. Variable Value Assignments	27
5.6. Generic Types	27
6. MontiArcAutomaton Context Conditions	29
6.1. Uniqueness Conditions	29
6.2. Convention Conditions	31
6.3. Referential Integrity Conditions	32
6.4. Type Correctness Conditions	33
6.5. MAA_{ts} Specific Context Conditions	37
6.6. MAA_{ed} Specific Context Conditions	40
7. Case Studies	43
7.1. Lego NXT Coffee Service	44
7.2. ROS Robotino Logistics	44
7.3. SmartSoft Robotino Logistics	45
7.4. IServeU	46

8. Discussion and Current Limitations	49
8.1. Expressiveness of Automata for Behavior Modeling	49
8.2. Extension with Additional Behavior Modeling Languages	50
8.3. Code Generation, Deployment, and Platforms	50
9. Summary	51
Bibliography	53
List of Figures	61
List of Listings	63
A. Human Readable Grammar	65
B. Parser Grammar	67

Chapter 1.

Introduction

Cyber-Physical Systems (CPS) [Lee06] are networks of cooperating systems with both physical and digital input and output. Common applications for CPS are sensor-based systems, such as autonomous cars, smart grid, distributed robotics, and wireless sensor networks. The technological and social challenges arising from CPS [Lee08, BCG12] pervade many disciplines and implementation domains.

Efficient engineering of reliable and robust CPS requires new concepts, methods, and technologies from automation engineering [KRS12] to security [CAS08] to software engineering [Lee10]. A common concept to tame the increasing complexity of modern distributed software systems is the separation of concerns through modularization and decomposition into smaller parts. Component-based Software Engineering (CBSE) [McI68b] is a prominent, maturing, and successfully applied realization of this concept [HC01, BKM⁺05, NFBL10, SSL11]. Software components hide parts of the system's complexity behind well-defined, stable interfaces, which allows to develop and evolve system parts independently by respective experts. Yet, the integration of cyber modules and physical parts for non-trivial systems requires tremendous effort due to the “conceptual gap” [FR07] between problem domains (e.g., autonomous navigation) and implementation domains (e.g., software engineering).

Bridging the conceptual gap by handcrafting such software systems introduces “accidental complexities” [FR07] (such as dealing with specific API issues rather than solution concepts) which increase costs and difficulty of the software engineering process. Model-Driven Engineering (MDE) [Sel03, SVEH05] lifts models, rather than source code, to be primary development artifacts. These models describe different aspects of systems from various perspectives and at multiple levels of abstraction. Using sophisticated toolchains, such models are transformed into running systems. As models abstract from implementation details, MDE introduces less accidental complexities and thus reduces the conceptual gap between problem domains and implementation domain.

Many architectures of pure software systems as well as CPS with large software parts are modeled as Component and Connector (C&C) architectures [MT00, TMD09]. Components encapsulate a related subset of a system's functionality or data and define explicit interfaces to restrict access to these services (see [TMD09]). Connectors establish and regulate communication of components. Typically, connectors connect ports of components with compatible interfaces to allow interaction. Component-based development of software-intensive systems yields many benefits [McI68a, TMD09] as it facilitates reuse and enables physically as well as logically distributed development of software systems.

Modeling languages for software and CPS architectures are called Architecture Description Languages (ADLs). MontiArc [HRR12] is an ADL implemented as a textual Domain Specific Language (DSL) on top of the DSL framework MontiCore [GKR⁺08, KRV08]. ADLs like MontiArc have demonstrated their usefulness in various domains to describe the structure of software systems.

We describe MontiArcAutomaton (MAA), an extension of the ADL MontiArc with an integrated specification mechanism to model component behavior. This is implemented in the modeling language MontiArcAutomaton (MAA), which extends MontiArc by embedding automata into components to model their behavior. The extension with syntactical elements makes MontiArcAutomaton a language family allowing the definition of different concrete language profiles. Syntax and semantics of MontiArcAutomaton are based on the I/O^ω automata paradigm [Rum96] and the FOCUS framework [BS01, RR11]. I/O^ω automata are automata, which allow reading from and sending messages to the ports of their encompassing component, thus partially reducing the need for behavior programming with general purpose programming languages such as Java or Python as demonstrated in [RRW13a, RRW13b].

It is important to note that there are multiple kinds of automata that can syntactically be expressed using MontiArcAutomaton. It is thus necessary to define language profiles and language profile specific semantics (in the sense of *meaning* [HR04b]). We present two language profiles in Chapter 4. One language profile supports time-synchronous component interaction while the other one provides automata for handling event-based communication.

Chapter 2 briefly introduces MontiArc [HRR12] before Chapter 3 illustrates MontiArcAutomaton by example. Chapter 4 presents two language profiles with syntactically specialized automata and corresponding automata semantics. The subsequent Chapter 5 is a reference for MontiArcAutomaton language elements. Chapter 6 lists context conditions required for the well-formedness of MontiArcAutomaton models. Chapter 7 describes several case studies with MontiArcAutomaton and different robotics platforms and Chapter 8 discusses the experiences with MontiArcAutomaton and directions for future work. Finally, Chapter 9 concludes this work.

Chapter 2.

The Architecture Description Language MontiArc

MontiArc [HRR12] is a modeling language for the description of C&C software architectures inspired by FOCUS [BS01] and C&C ADLs [TMD09]. Information is exchanged via connectors between the typed and directed ports of component interfaces. The component and connector concept allows composition of complex component hierarchies where components are either *atomic*, and perform execution of functionalities themselves, or are hierarchically *composed* of other components. Modeling component-based architectures offers benefits over traditional CBSE as models are platform independent, better comprehensible, and can be used to analyze properties of architectures based on an abstract model (cf. [TMD09, HRR12]). This section provides an overview of the ADL MontiArc by example of a simple robot.

The bumper bot robot comprises an ultrasonic sensor to detect the distance to the closest obstacle in front, a controller which reacts to obstacles, and two motors which propel two parallel tracks. After the robot is activated, it explores a room by driving straight forward until an obstacle is detected, then it backs up, rotates, and continues to drive forward again (cf. [RRW13a]).

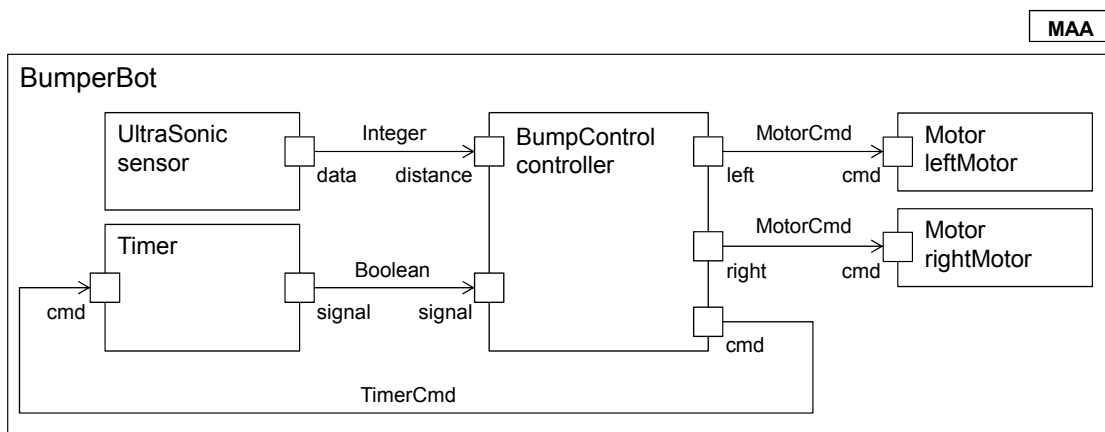


Figure 2.2.: Architecture of the composed component BumperBot for the bumper bot robot with its subcomponents.

Figure 2.2 depicts the software architecture for a bumper bot robot. The composed top-level component `BumperBot` consists of five subcomponents: `sensor` of component type `UltraSonic`, `controller` of component type `BumpControl`, `leftMotor` and `rightMotor` of component type `Motor`, and `timer` of component type `Timer`. The components exchange messages via the ports of their interfaces. Ports have a name, a type, and a direction. Their types are defined in UML/P class diagrams [Sch12] and restrict what messages they may send or receive – and thus also determine partners for possible connections. Connectors can only be established between ports of the same or of a compatible type. Here, component `sensor` sends distance measurements of type `Integer` via its outgoing port `data` to the controller’s incoming port `distance` of the same type. Furthermore, only ports in the same scope can be connected directly, i.e., a port of `sensor` can neither be connected directly to a port outside the component `BumperBot`, nor directly to a subcomponent of `controller`. Figure 2.4 illustrates the enumeration types used by the component `controller` to send messages to the timer and the motors.

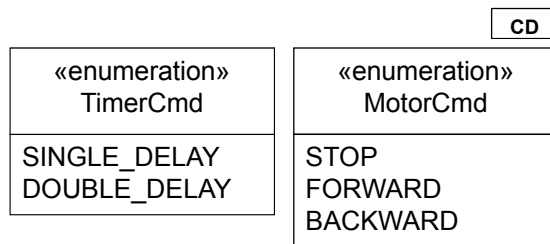


Figure 2.4.: Class diagram defining the two enumerations `TimerCmd` and `MotorCmd` used by the component `BumperBot` and its subcomponents.

After the `controller` has received a distance measurement and a timer signal it determines the course of action (i.e., either continues driving forward, backs up, or rotates) and sends according messages via its outgoing ports. Communication between MontiArc components is based on FOCUS [BS01], a framework for specifying and modeling distributed systems. Messages are passed asynchronously via typed unidirectional channels. The observable behavior on a channel is modeled as a finite or infinite stream of messages in the order of their transmission [HRR12].

The MontiArc code generation and simulation framework [wwwb] generates Java code and schedulers for time-synchronous and asynchronously timed communication [RR11]. In Section 4.1 we introduce a language profile of `MontiArcAutomaton` that implements time-synchronous communication of components.

The behavior of composed components emerges from the composition of the behaviors of their subcomponents. Interfaces of components do not reveal information about their behavior or possible composition, thus each of the subcomponents of `BumperBot` may be further composed. The distinction between the interface of a component and its behavior allows to introduce alternative behavior implementations. While the simulation framework of MontiArc only supports Java component behavior implementations, Monti-

ArcAutomaton extends MontiArc to enable modeling of component behavior as I/O^ω automata [RRW13b]. The next chapter illustrates this extension.

2.1. Applications and Extensions of MontiArc

MontiArc has been extended in the context of modeling product variability [HRR⁺11] using deltas [HRRS11]. Delta modeling is a bottom up technique starting with a small, but complete base variant. Features are added (that sometimes also modify the core). A set of applicable deltas configures a system variant. [HRR⁺11, HRRS11] discuss the application of this technique to Delta-MontiArc. Deltas can not only describe spacial variability but also temporal variability which allows for using them for software product line evolution [HRRS12].

[GHK⁺07] and [GHK⁺08] provide means for modeling requirements on the structure of the logical architecture of interactive systems. The implementation of a specification language for crosscutting structural C&C views [MRR13, MRR14] is based on MontiArc. Prototype tools allow the verification of C&C models against C&C views [MRR14] and a synthesis prototype computes a satisfying C&C model for valid, invalid, alternative, and dependent C&C views, if one exists [MRR13].

A variant of MontiArc for cloud-based software architectures [NPR13] introduces cloud-specific language elements, e.g., replicating components and message groups. The extended framework supports code generation to Java and features solutions for typical cloud-computing challenges, such as event-based communication and serialization into databases.

Chapter 3.

MontiArcAutomaton Example and Overview

MontiArcAutomaton extends MontiArc by introducing automata to define component I/O behavior. Our automata are platform independent, i.e., they allow to model component behavior independently of target platforms and languages. By using different code generators, one can execute the same architecture and automata on different platforms.

This chapter illustrates the extensions of MontiArcAutomaton over MontiArc on the example of component controller of type `BumpControl`. This component is used to control the actions of the bumper bot robot introduced in Figure 2.2. In MontiArcAutomaton component behavior is modeled as an automaton. Figure 3.2 depicts this automaton embedded into the surrounding component.

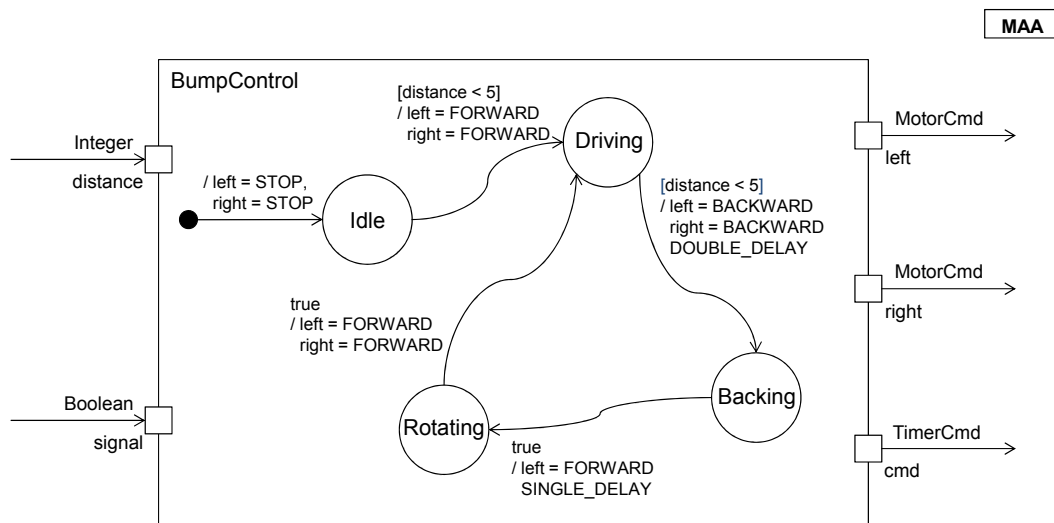


Figure 3.2.: The atomic component `BumpControl` with an embedded automaton.

The automaton consists of the four states `Idle`, `Driving`, `Backing`, and `Rotating` and five transitions. Generally, the automata of MontiArcAutomaton are finite in their number of states and support an arbitrary number of initial states. Each transition has a source state, a target state (which may be the same as the source state), and can be labeled with a guard, an input block, and an output block. Guards, input blocks, and

output blocks of transitions are conceptually connected to the encompassing component: they either refer to ports of the component, which the automaton is embedded in, or its local variables in combination with appropriate messages and values for the corresponding port and variable types.

An input block states which input is necessary to activate the respective transition. Therefore, each input block may reference an arbitrary subset of input ports and variables to state which messages, according to the port and variables types, must be received. Output blocks define the messages sent out via the components output ports and variable assignments. This allows automata to model observable component behavior.

Here, the transition from `Backing` to `Rotating` denotes, that, if the messages received on incoming port `signal`¹ is `true`, the message `FORWARD` is send via the outgoing port `left` and the message `SINGLE_DELAY` is send via the outgoing port `cmd`². Guards are conditions over the received input and the value of local variables that restrict when transitions may be executed. They can be formulated using the Object Constraint Language (OCL) variant of UML/P [Sch12] or as Java expressions. The automaton may only execute a transition if the guard condition holds. In this example, the transition from `Idle` to `Driving` may only occur, if the guard condition requiring that the value on incoming port `distance` is less than 5 is satisfied. Then the message `FORWARD` is send via the outgoing ports `left` and `right`.

MontiArcAutomaton is implemented as a textual Domain Specific Language (DSL) with the MontiCore [GKR⁺08, Vö11, Sch12, wwwc] language workbench. The formalisms for textual descriptions of hierarchically structured components are the same as in MontiArc. Therefore our examples focus on components models defining behavior. A textual representation of component `BumpControl` in Figure 3.2 is shown in Listing 3.3.

The organization of component definitions in files is similar to Java, as each compilation unit (model file) may contain only one parent component definition and these compilation units are organized in packages (Listing 3.3, l. 1). Packages correspond to the directory structure in the model path. Other compilation units (e.g., other components or types) can be used by importing their packages (l. 3). Component definitions start with the keyword `component` preceding the component name (l. 5). Typically, each MontiArcAutomaton component declares its interface at the beginning of the component body. An interface declaration starts with the keyword `port` and is followed by a set of ports which are labeled either as input ports (keyword `in`) or as output ports (keyword `out`) (ll. 7-12). Here each port is assigned a type and a name where the type is an unqualified reference to a previously imported data type.

The component `BumpControl` contains an automaton definition initiated by the keyword `automaton` (l. 14). The subsequent automaton body defines states and transitions in arbitrary order. States are declared by the keyword `state` followed by at least one state name (l. 15). Following the notation of [Rum96], initial states are defined explicitly using the keyword `initial` followed by a least one state name (l. 17).

¹If the type of a value unambiguously matches a single port or variable, MontiArcAutomaton allows to omit the port's or variable's name in input blocks and output blocks.

²Again via type inference.

	MontiArcAutomaton
<pre> 1 package bumperbot; 2 3 import bumperbot.types.*; 4 5 component BumpControl { 6 7 port 8 in Integer distance, 9 in Boolean signal, 10 out MotorCmd left, 11 out MotorCmd right, 12 out TimerCmd cmd; 13 14 automaton { 15 state Idle, Driving, Backing, Rotating; 16 17 initial Idle / {right = STOP, left = STOP}; 18 19 Idle -> Driving [distance < 5] 20 / {left = STOP, right = STOP}; 21 22 Driving -> Backing [distance < 5] 23 / {left = BACKWARD, right = BACKWARD, DOUBLE_DELAY}; 24 25 Backing -> Rotating {true} / {left = FORWARD, SINGLE_DELAY}; 26 27 Rotating -> Driving true / {left = FORWARD, right = FORWARD}; 28 } 29 }</pre>	

Listing 3.3: The component BumpControl in textual syntax

Transitions are not declared by a designated keyword but are instead defined by their unique syntax. A transition declaration is initiated by a source state name followed by a target state name (ll. 19-27). Further elements of a transition definition are source state, target state, guard, input block, and output block. For transitions looping from a state to itself, denoting the target state is optional. Subsequently, a guard may be defined by providing an OCL or a Java expression in square brackets (ll. 19 and 22). For each transition an optional input block may follow (ll. 25 and 27). This block specifies messages read on incoming ports and values of local variables, which enable the transition (e.g., the message `true` in l. 25). If the type of a value uniquely identifies the port (or variable), the name of the port (or variable) can be omitted. For instance, the value `true` of type `Boolean` used as input on the transition in from `Backing` to `Rotating` (l. 25) can only be read from port `signal` as this is the only port of the same type.

The curly brackets for input blocks and output blocks can be omitted (compare ll. 25 and 27) and serve merely a structuring purpose. Finally, each transition may define an output block, which specifies messages or sequences of messages sent on output ports and values assigned to variables. Similar to input blocks, curly brackets and port names are optional as well. Guards, input blocks, and output blocks are optional and thus may be left out.

3.1. Related Modeling Languages

Similar approaches to integrated modeling of architecture structure with component behavior for CPS are the Architecture Analysis & Design Language [FG12] (AADL), AutoFOCUS [HF11], Simulink [Tya12], SysML [Wei06, FMS11], and UML composite structure diagrams with statecharts [OMG10].

AADL is a modeling language for hardware and software of embedded systems and as such also features constructs to model hardware components, while MontiArcAutomaton focuses on modeling logical software components. In AADL, components can be of component type thread, which may define sequences of *subprogram* calls. A subprogram comprises a component-like interfaces and “represents callable unit of sequentially executable code” [FG12]. AADL can also be extended with behavior modeling languages through sublanguage conforming to the behavior annex [BFBFR07], which lacks integrated semantics with the surrounding architecture [YHMP09].

AutoFOCUS is a modeling tool and C&C ADL for the development of distributed embedded systems which is also based on the formal semantics of FOCUS [BS01, RR11]. AutoFOCUS supports timesynchronous streams with strongly causal and weakly causal component behavior. Behavior is modeled as state transition diagrams similar to MAA automata. In contrast to MontiArcAutomaton, AutoFOCUS lacks a distinction between component types and their instantiations, which hampers reuse of components.

MathWorks Simulink features a block diagram language enabling the description of components and connectors. Stateflow [wwwa] extends blocks with state transition diagrams. The semantics of Stateflow is not completely defined and has been formalized in different ways [HR04a, MC12]. In contrast to the automata of MontiArcAutomaton, the automata of stateflow do neither support underspecification nor refinement.

SysML is a graphical modeling language family for the development of software systems based on a subset of extended UML [OMG10] languages. SysML features languages to describe requirements, structure and behavior of systems. System structure is captured in block definition diagrams, internal block diagrams, and package diagrams. Internal block diagrams feature components (called “parts”), connectors, and ports and thus are similar to MontiArc models. System behavior is captured with activity diagrams, sequence diagrams, state machine diagrams and use case diagrams. As MontiArcAutomaton automata can be considered a language profile of UML statecharts, SysML enables to express architectures similar to MontiArcAutomaton architectures. In contrast to SysML, the semantics of a MontiArcAutomaton architecture is well-defined and grounded in the FOCUS framework, while the semantics of SysML models is grounded in the code genera-

tor employed. The same holds for the combination of UML composite structure diagrams with statecharts.

Chapter 4.

A MontiArcAutomaton Language Profiles and Semantics

MontiArcAutomaton extends MontiArc [HRR12] with syntax for automata inside component definitions. The extended syntax offers support for specifying states, variables, and transitions. Transitions feature messages on input ports, message sequences on output ports, guards, and variables. A formal definition of the concrete and abstract syntax of MontiArcAutomaton is given as MontiCore grammar in the appendix (see Appendix A for a simplified human-readable version of the grammar and Appendix B for the detailed MontiCore grammar). We provide examples of all syntactical elements in Chapter 5. Chapter 6 lists context conditions that well-formed MontiArcAutomaton models need to satisfy.

A modeling language definition consists not only of the concrete and abstract syntax of the language but also of its semantics (in the sense of *meaning* [HR04b]). For MontiArcAutomaton we chose the FOCUS calculus [BS01, RR11] of streams and stream processing functions as the semantic domain. This semantic domain allows to represent the interaction behavior of various kinds of systems described by automata [Rum96, BR07, BCR07, BCGR09]. We sketch the semantics of specific language profiles of MontiArcAutomaton by giving examples for the execution of automata, i.e., the input streams they consume and the output streams they produce.

One may define multiple language profiles that are each suited for different modeling purposes. A general discussion of syntactic and semantic variability in modeling language definitions is presented in [CGR09]. The modeling language MontiArcAutomaton forms a superset of syntactical elements to express several kinds of automata. Its syntax can be restricted for specific language profiles by additional well-formedness rules as shown by the examples in Section 6.5 and Section 6.6. In addition the syntax of MontiArcAutomaton can be extended or the semantics specialized using stereotypes at various places.

In the following, we present two language profiles and sketch their semantics for time-synchronous and event-driven communication [RR11]. One profile restricts the structure of automata to model time-synchronous automata. The other is a variant of event-driven automata. We sketch the semantics of the automata for these language profiles by giving examples of automata executions.

4.1. Language Profile for Time-Synchronous Communication

We present the profile MAA_{ts} of the MontiArcAutomaton language to model interactive components using time-synchronous communication. The key idea of time-synchronous communication is an execution of the system in discrete global time cycles. Each cycle corresponds to the execution of one transition of each MAA_{ts} automaton or an idle cycle if none of its transitions is enabled. During a cycle a component reads its inputs and sends outputs that are then available as input to the communication partners in the next cycle. This MontiArcAutomaton language profile restricts the output in every time cycle to at most one message per port. Each transition may read all variables and all messages currently available on input ports, write up to one message to each output port, and assign new variable values.

In typical CPS we observe various communication behavior. Components measuring or aggregating sensor data may send messages with the most recent data in every time cycle. Components on a higher level of abstraction may send command messages in one time cycle but then wait for an event, e.g., receiving a response or observing the change of sensor data in future time cycles, before issuing further commands. We thus include handling of the absence of messages in the syntax and semantics of time-synchronous automata. The MontiArcAutomaton language profile adds a special symbol `--` (see productions `NoData` and `OptVal` in the MontiArcAutomaton grammar in Listing B.1) to allow modelers to specify the expected or forced absence of messages.

The structure of MAA_{ts} automata is given in Definition 4.1. The well-formedness rules for the MontiArcAutomaton syntax to conform to the MAA_{ts} language profile are described in Chapter 6. Specific well-formedness rules for the MAA_{ts} profile are defined in Section 6.5.

Definition 4.1 (Time-synchronous MontiArcAutomaton (MAA_{ts})). *A time-synchronous MAA is a syntactically restricted automaton where*

- *the output is at most one message per port and*
- *the special message `--` may occur on all input and output ports.*

△

MAA_{ts} automata are executed in cycles where in each time cycle one enabled transition is executed, if one exists. Transitions are enabled if the input messages and variable values specified in the input block match the messages read on the input ports and the values of the local variables in the current time cycle. We interpret the absence of declared messages and variable values as underspecification by the modeler, that is, the message on a port and value of a variable omitted in the input block is not relevant for enabling the transition, i.e., all possible messages and values are allowed on the omitted port or variable. We interpret the absence of outputs on a transition as not sending a message on

that port (denoted as `--` in the time-synchronous semantics). The absence of assignments to variables on a transition is interpreted as preserving variable values.

The messages on all input ports are available only in the cycle after they have been sent. In case a message is not read on a port it is not buffered and then is lost in the next cycle. If no transition is enabled in one execution cycle, the automaton does not execute any transition and therefore does not produce any message in the current time cycle (again denoted as `--`). This behavior can also be interpreted as the execution of a self-loop, with output `--` on every port, that is enabled if no existing transition is enabled (so called *idle completion* [Rin14, Def. 6.25]). Again, in the next cycle the previous inputs are no longer available on the port.

As an example for an automaton modeled according to the MAA_{ts} profile, consider multiple vehicles driving in a convoy. The controller of a vehicle contains a component that decides the speed of driving forward based on the information whether the vehicle is in its lane and based on the distance to the leading vehicle. Part of this component is sketched in the MAA_{ts} automaton shown in Listing 4.2. Component `FollowTheLeaderOnline` controls the speed of going forward by sending commands to the motor. If the automaton is in the state `Following`, if the vehicle is in its lane, and if the distance measured has the value `TOO_FAR`, the port `cmd` sends the command `FAST_FORWARD`.

	MontiArcAutomaton-TS
1	<code>package robot;</code>
2	
3	<code>component FollowTheLeaderOnline {</code>
4	
5	port
6	in Boolean inLane,
7	in Distance dist,
8	out MotorCmd cmd;
9	
10	automaton {
11	state Following, Finding, Waiting;
12	initial Following / SLOW_FORWARD;
13	
14	Following {inLane = true, dist = TOO_FAR} / FAST_FORWARD;
15	Following {inLane = true, dist = TOO_CLOSE} / SLOW_FORWARD;
16	Following -> Finding false / TURN;
17	
18	// ... more transitions ...
19	}
20	}

Listing 4.2: The MAA_{ts} automaton of component `FollowTheLeaderOnline` to follow a leading object while staying in lane

Table 4.3 shows the reaction of the component to inputs given on the ports `inLane` and `dist`. Each column of the table contains the input and output messages of one cycle

cycle	in inLane	in dist	out cmd
1	true	--	SLOW_FORWARD
2	true	--	--
3	true	TOO_FAR	--
4	true	TOO_FAR	FAST_FORWARD
5	true	--	FAST_FORWARD
6	false	--	--
7	false	TOO_FAR	TURN
8	true	TOO_FAR	--
9			SLOW_FORWARD

Table 4.3.: Inputs and outputs of component `FollowTheLeaderOnline` at nine execution cycles

of the synchronous system execution. As an example, the initial output message `SLOW_FORWARD` of the automaton (Listing 4.2, l. 12) is sent in the first cycle (see Table 4.3).

Consider the second cycle where the message `true` is received on the port `inLane` and no message is received on the incoming port `dist` (denoted by `--`). This input combination does not trigger a transition in the current state `Following` and nothing is sent on port `cmd` in cycle $t+1$ (denoted by `--`). The transition in line 14 of Listing 4.2 is triggered by the input in cycle 3 and the component sends the message `FAST_FORWARD` in cycle 4. The same input pattern is received in cycle 4 and the message `FAST_FORWARD` is repeated in cycle 5.

Our semantics of the MAA_{ts} language profile has strongly causal component behavior. Strong causality requires that a possible reaction to an input at cycle t may only occur in cycle $t + 1$ or later [BS01, RR11]. For MAA_{ts} the reaction to an input at time t (as defined by a transition) happens at time $t + 1$.

We have implemented MontiCore code generators for the MAA_{ts} language profile. These generators generate executable Java and Python code, analyzable Mona predicates, and EMF models as presented in [RRW13b, RRW13c]. The code generator from MontiArcAutomaton models to the Mona specification language enables, e.g., refinement checking between different MontiArcAutomaton components [Kir11]. We have evaluated our Java code generator in a one-semester student project about model-based robotic system development [RRW13c].

4.2. A Language Profile for Event-Driven Automata

A different language profile of MontiArcAutomaton is the MAA_{ed} profile for event-driven automata. The execution of transitions in event-driven automata is triggered by receiving an event on a port of the component. The component can then produce a finite number of events to emit on its output ports. The structure of event-driven automata is defined in Definition 4.4. It is important to note that each transition can only be triggered by a single event. Thus it is not possible to read multiple events on a transition or read

multiple events in guards of transitions.

The well-formedness rules for the MontiArcAutomaton syntax to conform to the MAA_{ed} language profile are described in Chapter 6. Specific well-formedness rules for the MAA_{ed} profile are defined in Section 6.6.

Definition 4.4 (Event-driven MontiArcAutomaton (MAA_{ed})). *An event-driven MAA is a syntactically restricted automaton where*

- on every transition the input and guard are restricted to read exactly one input message on exactly one port and
- the symbol `--` must not be used in the input or output on a transition.

△

As an example, consider the robotic arm shown in Figure 4.6 and the component `ToastArmController` shown in Listing 4.7. The MAA_{ed} automaton inside component `ToastArmController` has a transition from the state `Idle` activated by event `PICK_UP_TOAST` received on port `req` (see ll. 15-16). The event is handled by sending the sequence of commands `[MOVE_UP, TURN_RIGHT, OPEN, MOVE_DOWN, CLOSE]` on the output port `armCmd`.



Figure 4.6.: A robotic arm capable of picking up a toast

Please note that a definition of the semantics of MAA_{ed} automata based on stream processing functions requires a model of timed streams (see [RR11] for different kinds of

	MontiArcAutomaton-ED
--	----------------------

```

1 package robot;
2
3 component ToastArmController {
4
5   port
6     in Request req,
7     in Boolean reset,
8     out ArmControlCommand armCmd,
9     out LightCommand lightCmd;
10
11  automaton {
12    state Idle, GotToast;
13    initial Idle;
14
15    Idle -> GotToast PICK_UP_TOAST /
16      [MOVE_UP, TURN_RIGHT, OPEN, MOVE_DOWN, CLOSE], FLASH;
17    GotToast -> Idle DROP_TOAST /
18      [TURN_LEFT, MOVE_DOWN, OPEN], OFF;
19  }

```

Listing 4.7: The MAA_{ed} automaton of a robotic arm controller for picking up and dropping toast

streams in FOCUS and see [Rum96] for semantics definitions of automata using stream processing functions). Timed streams encode a model of time and thus make it possible to relate the occurrence of events on different input and output ports of the component.

The language profile for MAA_{ed} automata has been investigated for modeling and code generation in a student project with an application to robotic systems [Mar12].

Chapter 5.

MontiArcAutomaton Language Reference

The language MontiArcAutomaton extends MontiArc with syntactical elements of I/O^ω automata [Rum96] and variables. This chapter introduces these language elements and their concrete syntax on the basis of small examples. The complete grammar of MontiArcAutomaton is available in Appendix A and Appendix B. Component definitions in MontiArcAutomaton can contain automata and variables as top level elements in addition to the language elements known from MontiArc [HRR12].

This chapter gives an overview over the syntactical elements of MontiArcAutomaton not contained in MontiArc. Chapter 6 introduces well-formedness rules common to all kinds of automata that can be expressed using the syntax of MontiArcAutomaton. Section 6.5 and Section 6.6 present well-formedness rules specific to the language profile for time-synchronous communication defined in Section 4.1 and specific to the profile for modeling event-driven automata defined in Section 4.2.

5.1. Automaton Declarations

An automaton declaration has to be contained in a component definition and starts with the keyword `automaton` followed by an optional name, and the body of the automaton. Optionally, stereotypes can be added to the declaration of the automaton before `automaton`.

Listing 5.1 shows the definition of component `IntegerBuffer` with an embedded automaton of name `BufferAutomaton` (l. 8).

5.2. Variables

Automata may reference variables in guards, input blocks, and output blocks. These variables are local to MontiArcAutomaton components and thus declared in the component's scope. A variable declaration consists of a type name, the variable's name and an optional initial value assignment. The types of variables are either defined in Java or UML/P class diagrams and need to be imported by the containing component.

Listing 5.2 depicts the declaration of a variable `buffer` of type `Integer` (l. 8).

	MontiArcAutomaton
1	component IntegerBuffer1 {
2	
3	port
4	in Integer value,
5	in Boolean saveValue,
6	out Integer bufferedValue;
7	
8	automaton BufferAutomaton {
9	//...
10	}
11	}

Listing 5.1: Definition of an automaton with name `BufferAutomaton` inside component `IntegerBuffer`

	MontiArcAutomaton
1	component IntegerBuffer2 {
2	
3	port
4	in Integer input,
5	in Boolean saveValue,
6	out Integer output;
7	
8	Integer buffer;
9	
10	automaton BufferAutomaton {
11	//...
12	}
13	}

Listing 5.2: Variable declarations inside a `MontiArcAutomaton` component

5.3. Values and Sequences

Values assigned to variables and communicated via ports of the component use the production `Value` from the `MontiArc` grammar [HRR12] which provides values and literals for common types, e.g. `true` and `false` for type `Boolean`. Listing 5.3 illustrates the use of values: l. 13 defines a transition from state `S` to itself, which is enabled if a message of value `true` is received via the port `saveValue`. In this case, the input is saved to variable `buffer` and the value `0` is emitted via port `output`. If the value `false` is received via the port `saveValue`, the value stored in variable `buffer` is send via port `output`. As mentioned above, the port names can be omitted if the value types identify the intended port unambiguously (cf. inputs in ll. 13 and 14). As both transitions define a loop from state `S` to itself, explicitly defining the target state (i.e., `-> S`) could have

been omitted.

	MontiArcAutomaton
<pre> 1 component IntegerBuffer3 { 2 3 port 4 in Integer input, 5 in Boolean saveValue, 6 out Integer output; 7 8 Integer buffer; 9 10 automaton BufferAutomaton { 11 state S; 12 13 S -> S true / {output = 0, buffer = input }; 14 S -> S false / {output = buffer}; 15 } 16 }</pre>	

Listing 5.3: Usage of literal values `true` and `0`

Some language profiles allow the sending of sequences of messages on output ports. A sequence is created from a list of values using the operator `[...]` with a comma-separated list of messages inside. The construction of message sequences is illustrated in Listing 5.4. Line 12 denotes a transition from state `S` to `T`, which reads both input ports and sends a sequence of the two values - not their concatenation - via its output port. Please note, that it is not necessary to specify the output port name `output`, as the sequence `[a, b]` consisting of two elements can only be send via port `output` of type `Integer`.

Finally, `MontiArcAutomaton` extends the `Value` production of the `MontiCore` grammar with the literal value `NoData` denoted by `--`. This (pseudo) value can be used in combination with a timed streams semantics [RR11] to denote the case of *no message available*. An example is given in the language profile `MAAts` introduced in Section 4.1.

5.4. State Declarations

A state declaration introduces one or more states. An automaton can have multiple state declarations each starting with the keyword `state` followed by a list of states. A state has a name and can have an optional list of stereotypes. Stereotypes are provided as means to extend the language for generator developers and language profile developers. The interpretation of stereotypes is thus left to specific applications. Multiple states inside a state declaration are separated by a comma.

Listing 5.5 shows a single state declaration (l. 11) declaring two states with names `S` and `T`. The state `T` has the stereotype `«error»` which can be interpreted by applications.

	MontiArcAutomaton
<pre> 1 component Echo1 { 2 port 3 in Integer a, 4 in Integer b, 5 in Boolean speak, 6 out Integer output; 7 8 automaton { 9 state S, T; 10 initial S; 11 12 S -> T true / [a, b]; 13 } 14 }</pre>	

Listing 5.4: Sequences of values sent on output ports

	MontiArcAutomaton
<pre> 1 component IntegerBuffer4 { 2 3 port 4 in Integer input, 5 in String cmd, 6 out Integer output; 7 8 Integer buffer; 9 10 automaton BufferAutomaton { 11 state S, <<error>> T; 12 13 S -> S "SAVE" / {output = 0, buffer = input}; 14 S -> S "SEND" / output = buffer; 15 S -> T [cmd != "SAVE" && cmd != "SEND"]; 16 } 17 }</pre>	

Listing 5.5: Definition of states S, and T with state T having the stereotype «error»

5.4.1. Initial States and Initial Outputs

An automaton can declare multiple initial states using the keyword `initial` followed by at least one state name. Each of these state names can be assigned an initial output in terms of an output block.

Listing 5.6 introduces the state S (l. 11). State S is declared initial afterwards (l. 12) and defined to initially assigning the value 0 to the variable `buffer`. Please note, that

	MontiArcAutomaton
1	component IntegerBuffer5 {
2	
3	port
4	in Integer input,
5	in Boolean saveValue,
6	out Integer output;
7	
8	Integer buffer;
9	
10	automaton BufferAutomaton {
11	state S;
12	initial S / buffer = 0;
13	
14	S -> S true / {output = 0, buffer = input};
15	S -> S false / {output = buffer};
16	}
17	}

Listing 5.6: Definition of an initial state S with initial output 0

the curly brackets around assignments are optional again.

5.5. Transitions

Transitions are defined originating from a source state towards a target state. Omitting the target state defines a transition looping from the source state to itself. A transition further may have an optional guard, an optional input block, and an optional output block. See Listings 5.3 to 5.6 show various forms of syntactically valid transitions.

Transitions follow the pattern illustrated in Listing 3.3: a transition from state S0 to state S1 with guard Guard, inputs Inputs, and outputs Outputs generally has the form

$$S0 \rightarrow S1 \text{ [Guard] } \{Inputs\} / \{Outputs\};$$

where

- Guard is an expression of the embedded guard language (currently available are OCL and Java).
- Inputs is a set of pairs of port names and variable names and their expected values that trigger the transition of the form $x = val$. If x is the name of a port, val must be a *message* consisting of a single *value*, i.e., no sequences of values. If x is the name of a variable, val must again be a single value. Alternatives for the values read on ports and variables may be written using the disjunction operator $|$ as in the example $x = val1 \mid val2 \mid val3$ to allow underspecification. Input

ports and variables may reference other input ports and variables as described in Section 5.5.2.

- `Outputs` is a set of pairs of port resp. variable names and assigned values that result from the execution of the transition and have the form `x = val`. If `x` is the name of a port, `val` may be a single *message* (e.g., 42) or a sequence of messages (e.g., [3, 14]). If `x` is the name of a variable, `val` must be a single value. Non-deterministic alternatives for the values written on ports and assigned to variables may be written using the disjunction operator `|` as in the example `x = val1 | [val2, val3] | []`. Output ports and variable assignments may reference input ports and variables as described in Section 5.5.3.

The curly brackets can be omitted, such that `S0 -> S1 [Guard] Inputs / Outputs;` denotes the same transition as above. If the transition describes a loop from a state `S0` to itself, the target state may also be omitted, which results to the form `S0 [Guard] {Inputs} / {Outputs};`. Again, the curly brackets may be omitted — thus `S0 [Guard] Inputs / Outputs;` denotes the same transition. As input, guard, and output are also optional, the minimal transition has the form `S0`, which denotes an unconditional loop from `S0` to itself that reads, emits, and assigns nothing. Whether this transition is allowed and what its semantics are is dependent on the language profile and semantics chosen.

5.5.1. Guard Expressions over Ports and Variables

Guards on transitions are surrounded by square brackets `[...]`. MontiArcAutomaton does not define its own expression language for guards. Current options are to use Java expressions of type `Boolean` (guard kind starting with the keyword `java:`) or OCL/P [Sch12] expressions (guard kind starting with the keyword `ocl:`). As OCL/P is the default guard expression language, specification of guard kind `ocl` can be omitted. Guards may refer to input ports and variables.

The optional OCL/P guard `[input <= 9]` in line 14 of Listing 5.7 expresses that its transition can only be activated if variable `input` has a value less or equal than 9. The second transition explicitly specifies to use a Java guard (l. 15) which holds, if the value of variable `input` is greater than 9.

5.5.2. Input on Ports and Current Variable Values

The optional input block of a transition contains, if present, at least one port or variable valuation. A valuation of a port specifies a value expected as input on this port. A valuation of a local variable specifies the value it shall have to trigger the transition. Multiple valuations of ports or variables are separated by commas. In case the port or variable name is uniquely determined by the type of the message or value, the name is optional in the input block. Alternatives for the values read on a port or variable with the name `x` may be written using the disjunction operator `|` as in the example `x = val1 | val2 | val3`.

	MontiArcAutomaton
<pre> 1 component SmallNumbersBuffer { 2 3 port 4 in Integer input, 5 in Boolean saveValue, 6 out Integer output; 7 8 Integer buffer; 9 10 automaton BufferAutomaton { 11 state S; 12 initial S / buffer = 0; 13 14 S [input <= 9] true / {output = 0, buffer = input}; 15 S [java: input > 9] true / {output = 0}; 16 S false / {output = buffer}; 17 } 18 }</pre>	

Listing 5.7: Two guard expressions using the embedded OCL/P and Java respectively

	MontiArcAutomaton
<pre> 1 component ZeroBuffer { 2 3 port 4 in Integer input, 5 in Boolean safe, 6 out Integer output; 7 8 Integer buffer = -1; 9 10 automaton BufferAutomaton { 11 state S; 12 initial S; 13 14 S -> S true, input = 0; 15 S -> S [input != 0] true; 16 S -> S input = 0 1, false; 17 } 18 }</pre>	

Listing 5.8: A component with three transitions and different valuations

Listing 5.8 shows a component containing an automaton with three transitions over two input ports of types `Integer` and `Boolean` and a variable of type `Integer` as well. Using the value `true` in an input block unambiguously identifies the port `safe` of type

`Boolean` as the intended source, thus stating the the port's name can be omitted. Using numbers can either refer to the input port `input` or the variable `buffer`, therefore the name of the intended source has to be specified.

Values in Input Blocks

The right side of a port reference in the input is a disjunction over expected messages. A message can be a literal value conforming to the type of the port, the name of a variable, or the name of another input port. The right side of a variable reference can either be a literal value, or the name of another port or variable. Disjunctions of these are also allowed for references to variables.

5.5.3. Output on Ports

The optional output block of a transition starts with `/`. If the block is present, it has to contain at least one message as output to a port or an assignment of a value to a variable. The output sent via a port can either be a literal value, a variable name, the name of an input port, or a concatenation of any of these. The type of the assigned values has to correspond to the type of the port or variable. The list operator `[...]` concatenates messages to a list of messages, e.g., as list of `String` values as in Listing 5.9. Non-deterministic alternatives of values can be separated by the disjunction operator `|` inside an assignment. Multiple assignments are separated by commas.

	MontiArcAutomaton
<pre> 1 component IntegerDuplicator { 2 port 3 in String input, 4 in Boolean speak, 5 out String output; 6 7 automaton { 8 state S; 9 initial S; 10 11 S false / --; 12 S true / [input, input]; 13 } 14 }</pre>	

Listing 5.9: Transitions producing two output messages of type `String`

Listing 5.9 shows a component with an automaton that produces two `Integer` output messages. The first transition (l. 11) is enabled if the message `false` was received on incoming port `speak` and emits the message `--` via outgoing port `output`. The second transition (l. 12) is enabled if the message `true` was received and sends a list of two `Integer` messages via outgoing port `output`. The output thus consists of two separate

messages. As `output` is the only outgoing port that this sequence can be assigned to, it is not necessary to include the name of the port `output` in the output block.

5.5.4. Variable Value Assignments

Value assignments to variables may also appear in the output blocks of transitions. Same as with sending via ports, we use `=` after a variable name to denote an assignment of a value to the variable. The value assigned to a variable can either be a literal value, a variable name, or the name of an input port representing the value of a message read on that port. Non-deterministic alternatives of values can be separated by the disjunction operator `|` inside an assignment. Currently variable definitions (see Section 5.1) and the output blocks of transitions are the only places where values can be assigned to variables.

	MontiArcAutomaton
<pre> 1 component IntegerBuffer6 { 2 3 port 4 in Integer input, 5 in Boolean saveValue, 6 out Integer output; 7 8 Integer buffer; 9 10 automaton BufferAutomaton { 11 state S; 12 13 S -> S true / {buffer = input, output = 0}; 14 S -> S false / {buffer = 0, output = buffer}; 15 } 16 }</pre>	

Listing 5.10: Setting the variable `buffer` on transitions

Listing 5.10 illustrates how the variable `buffer` of type `Integer` is set on two transitions (ll. 13 and 14). Using an `Integer` value in an output block might refer either to the outgoing variable `output` or the variable `buffer`, thus it is necessary to specify the port or variable names explicitly. Again, the curly brackets (ll. 13 and 14) are optional.

5.6. Generic Types

Generic component types are a mechanism to facilitate reuse of components. Component types can have generic type parameters which define the type of ports or variables. An example for a generic component type is the component type `Arbiter<T>` shown in Listing 5.11. Instantiations of the component `Arbiter<T>` need to provide a concrete type or another type variable for the parameter `T` of the component. The component

Arbiter uses the generic type `T` for the definition of its incoming and outgoing ports (see Listing 5.11, ll. 4-6).

	MontiArcAutomaton
1	component Arbiter<T> {
2	port
3	in Boolean mode,
4	in T in1,
5	in T in2,
6	out T res;
7	
8	automaton {
9	state S;
10	initial S;
11	S mode = true / in1;
12	S mode = false / in2;
13	}
14	}

Listing 5.11: The generic `Arbiter` component selects and forwards one of two inputs based on the messages received on port `mode`

The use of generic component types and type variables is supported by `MontiArcAutomaton`. Type variables may be used for the types of ports and variables inside `MontiArcAutomaton` component definitions. In the example shown in Listing 5.11 the transition in line 11 forwards the message read on the input port `in1` to the output port `res` of the same type. Similarly, the transition in line 12 forwards the message read on port `in2` if the message read on port `mode` is `false`.

Additional well-formedness rules apply when using generic types, e.g., port names have to be given explicitly and are not derived from the type of the port. See [HRR12] for more details.

Chapter 6.

MontiArcAutomaton Context Conditions

The modeling language MontiArcAutomaton is defined by a context-free MontiCore grammar [GKR⁺08, KRV08]. Context-free grammars lack expressiveness to define various necessary properties (e.g., variables being defined twice in same scope) to make a model well-defined. MontiCore provides a powerful framework to describe these *context conditions* (CoCos) [Vö11]. The context conditions framework and the MontiCore symbol table framework [Vö11] allow, e.g., to check whether the value assigned to a port or variable has a compatible type.

We have implemented several context condition checks to assure the well-formedness of MontiArcAutomaton models. Further context conditions may be added depending on a chosen language profile and automata semantics (see Chapter 4) or to restrict models for the code generation to specific target languages. The context conditions of MontiArcAutomaton are divided into four groups regarding the nature of the checks. Our categorization of context conditions differentiates between requirements such as uniqueness of names (Section 6.1), conventions (Section 6.2), referential integrity (Section 6.3), and type correctness (Section 6.4). While these categories cover basic rules for the automaton language, additional context conditions for specified language profiles may be added (Section 6.5 and Section 6.6).

The extensions of MontiArcAutomaton which add automata and variables to the language require new context conditions while the existing MontiArc context conditions are inherited. A detailed list of MontiArc context conditions together with examples is given in the MontiArc technical report [HRR12]. In the following we describe the context conditions of MontiArcAutomaton by stating each condition as a rule and giving examples of context condition violations. At first, context conditions common to all possible language profiles are presented and afterwards (Section 6.5 and 6.6) language profile specific context conditions are presented.

6.1. Uniqueness Conditions

In order to create correct models and to avoid generating ambivalent code, we demand that all syntactical language elements of the same type have unique names.

U1: Automata within a component have unique names.

Automata with duplicate names inside a common parent component, as seen in Listing 6.1, are not permitted.

	MontiArcAutomaton
1	component IntegerBufferU1 {
2	
3	automaton BufferAutomaton {
4	// ...
5	}
6	
7	automaton BufferAutomaton { ✘ // duplicate automaton definition
8	// ...
9	}
10	}

Listing 6.1: Violated CoCo U1: Two automata definitions with equal name

U2: State names are unique within an automaton.

All state names in an automaton have to be unique in the scope of the automaton definition. This requirement holds for state names listed in a single state definition as well as among multiple state statements.

	MontiArcAutomaton
1	component IntegerBufferU2 {
2	
3	automaton BufferAutomaton {
4	state S, T, S; ✘ // state 'S' defined multiple times
5	state T; ✘ // state 'T' defined earlier
6	}
7	}

Listing 6.2: Violated CoCo U2: Duplicate state definitions

In Listing 6.2 the condition U2 is violated by declaring a state named S twice in a single state definition (l. 4). Furthermore, both state definitions declare a state with the name T (ll. 4-5), which also violates this condition.

U3: The names of variables and ports are unique within a component.

As all variables are declared and referenced in the scope of a component, the name of each variable must be different from all other variable names and port names. This holds for variables of the same type as well as for variables of different types.

```

MontiArcAutomaton
1 component IntegerBufferU3 {
2
3   port
4     in Integer input;
5
6   String input; ❌ // port with name 'input' already exists
7
8   Integer buffer;
9   String buffer; ❌ // variable 'buffer' defined twice
10 }

```

Listing 6.3: Violated CoCo U3: Duplicate variable definitions

In Listing 6.3 context condition U3 is violated twice: first, by defining a variable with a name already assigned to a port (l. 6) and second, by duplicate declaration a of variables with name `buffer`.

6.2. Convention Conditions

We introduce a set of conventions for MontiArcAutomaton models. A model that violates a convention rule can still be considered well-formed but is strongly discouraged. Violations of the rules introduced in this section result in warnings instead of errors.

C1: An automaton has at least one initial state.

At least one state of each automaton has to be declared as an initial state. In Listing 6.4 this context condition is violated.

```

MontiArcAutomaton
1 component IntegerBufferC1 {
2
3   automaton BufferAutomaton { ⚠️ // initial state missing
4     state S;
5   }
6 }

```

Listing 6.4: Violated CoCo C1: Missing initial state declaration

C2: The names of variables and ports start with lowercase letters.

In order to conform to conventions known from Java we discourage the use of port and variable names which begin with an uppercase letter (see Listing 6.5).

	MontiArcAutomaton
<pre> 1 component IntegerBufferC2to4 { 2 port 3 in Integer Input; ⚠️ // port name must start lowercase 4 5 automaton buffer { ⚠️ // automaton name must start uppercase 6 state s; ⚠️ // state name must start uppercase 7 } 8 }</pre>	

Listing 6.5: Violated CoCos C2, C3, C4: Variable, automata, and state names are not defined in compliance to MontiArcAutomaton conventions

C3: The names of automata start with uppercase letters.

An automaton is a constant entity and should thus have a name which begins with an uppercase letter (see Listing 6.5).

C4: The names of states start with uppercase letters.

An automaton's states are static entities and have therefore names that start in uppercase (see Listing 6.5).

6.3. Referential Integrity Conditions

This section introduces rules for the well-definedness of references to language elements inside MontiArcAutomaton models.

R1: States referenced by a transition must be declared.

The states which represent the source or the target of a transition have to be declared in a `state` statement. Two violations of this context condition are depicted in Listing 6.6. The state `T` has not been declared but is referenced as a target state in line 9 and as a source state in line 10.

R2: Ports and variables referenced on transitions must be declared.

Only ports that have been declared as input or output ports in the components interface may be referenced by a transition to either send or receive messages. In Listing 6.7 the ports or variables with names `saveValue`, `buffer`, `input`, and `output` are unknown to both component and automaton. As they are used to receive and send messages (l. 13), the automaton definition is erroneous with respect to R2. The same holds for reading and assigning variables. Additionally, ports and variables that are used as messages or values must be declared as well.

	MontiArcAutomaton
1	component IntegerBufferR1 {
2	
3	port
4	in Boolean saveValue;
5	
6	automaton BufferAutomaton {
7	state S;
8	
9	S -> T true; ❌ // state 'T' is undefined
10	T -> S false; ❌ // state 'T' is undefined
11	}
12	}

Listing 6.6: Violated CoCo R1: Reference to an undefined state

	MontiArcAutomaton
1	component IntegerBufferR2 {
2	
3	automaton BufferAutomaton {
4	state S;
5	
6	S saveValue = true / {buffer = input, output = 0 };
7	❌ // name 'saveValue' is undefined
8	❌ // name 'buffer' is undefined
9	❌ // name 'input' is undefined
10	❌ // name 'output' is undefined
11	}
12	}

Listing 6.7: Violated CoCo R2: Multiple undefined ports and variables

R3: Variable declarations may not reference ports.

As a convention, we require that initial value assignments to variables are performed prior to any communication taking place. Thus, variable declarations may not reference any ports.

6.4. Type Correctness Conditions

This section summarizes rules for the correct usage and combination of typed elements in MontiArcAutomaton models.

T1: Messages sent or received via ports and read from or assigned to variables must conform to the according port or variable types.

For every port and variable in every input and output block, messages must consist solely of values that conform to the type of the port and variable respectively.

```

MontiArcAutomaton
1 component IntegerBufferT1 {
2
3   port
4     in Integer input,
5     in Boolean saveValue,
6     out Integer output;
7
8   Integer buffer;
9
10  automaton BufferAutomaton {
11    state S;
12
13    S -> S true / {buffer = true, output = "Zero" };
14    ✖ // 'true' is no Integer
15    ✖ // 'Zero' is no Integer
16  }
17 }

```

Listing 6.8: Violated CoCo T1: Using incorrectly typed values with ports or variables

Listing 6.8 demonstrates two violations of the context condition T1: The port `buffer` of type `Integer` cannot be used to send a message of the type `Boolean` (l. 13), and a value of the type `String` cannot be assigned to the port `output` (l. 13). This context condition applies to input and output blocks of transitions as well as to output blocks of initial state outputs.

T2: Initial values of variables must conform to their types.

The possibility of assigning an initial value to a variable is provided by the underlying grammar. For initial assignments the same rules apply as demanded by the context condition T1. An assigned value must conform to the type of the variable. A violation of the context condition T2 can be seen in Listing 6.9. In line 3 a literal of the type `String` cannot be assigned to a variable of the type `Integer`.

T3: Input ports and variables used as part of a message or assignment, must conform to the according port and variable types.

When using references to input ports or variables as messages on transitions, their types must be compatible with the type of the port or variable on the left-hand side of the comparison or assignment. Two possible mistakes are demonstrated in Listing 6.10, l. 13.


```

MontiArcAutomaton
1 component IntegerBufferT2 {
2
3   Integer buffer = "Hello"; ❌ // 'Hello' is no Integer
4
5   automaton BufferAutomaton {
6     state S;
7     //...
8   }
9 }

```

Listing 6.9: Violated CoCo T2: Assigning incompatible values in variable declaration statements

```

MontiArcAutomaton
1 component EchoT3 {
2   port
3     in String input,
4     in Boolean speak,
5     out String output;
6
7   Boolean tmp;
8
9   automaton {
10    state S;
11    initial S;
12
13    S true / tmp = input, output = ["input is:", speak];
14    ❌ // port 'input' is no Boolean
15    ❌ // variable 'speak' is no String
16  }
17 }

```

Listing 6.10: Violated CoCo T3: Constructing a message sequence with an invalid concatenation of messages of incompatible types and assigning a message of an incompatible type to a variable (l. 13)

T4: The special literal value `NoData` cannot be used with variables.

The value `NoData` (written `--`) is reserved for timed streams on ports as it represents the absence of a message in a time slice. Listing 6.11 demonstrates all kinds of variable accesses that are prohibited if `NoData` is used as a value.

	MontiArcAutomaton
<pre> 1 component IntegerBufferT4 { 2 3 port 4 in Integer input, 5 out Integer output; 6 7 Integer buffer = --; 8 ❌ <i>// cannot assign NoData to variable 'buffer'</i> 9 10 automaton BufferAutomaton { 11 state S; 12 13 S -> S buffer = -- / buffer = --; 14 ❌ <i>// cannot read NoData from variable 'buffer'</i> 15 ❌ <i>// cannot write NoData to variable 'buffer'</i> 16 } 17 } </pre>	

Listing 6.11: Violated CoCo T4: Assigning and reading NoData from variables

T5: Sequences of values cannot be read from or assigned to variables.

Variables can hold only single values. Therefore, they can neither be assigned sequences of values nor can they be queried for such sequences (see Listing 6.12).

	MontiArcAutomaton
<pre> 1 component IntegerBufferT5 { 2 3 Integer buffer; 4 5 automaton { 6 state S; 7 initial S; 8 9 S buffer = [1, 0] / buffer = [1, 1]; 10 ❌ <i>// cannot read sequence from variable</i> 11 ❌ <i>// cannot write sequence to variable</i> 12 } 13 } </pre>	

Listing 6.12: Violated CoCo T5: Writing and reading sequences of values from variables

T6: The direction of ports has to be respected.

Messages can only be received through input ports and sent only through output ports. Hence, transitions have to obey these limitations by only reading from input ports and reacting by sending messages via output ports. Due to context condition T6 transitions may not use ports in the opposite direction as illustrated in Listing 6.13.

	MontiArcAutomaton
<pre> 1 component IntegerBufferT6 { 2 3 port 4 in Integer input, 5 out Integer output; 6 7 automaton BufferAutomaton { 8 state S; 9 10 S output = 0 / input = 1; 11 ❌ // receiving from output port 'output' 12 ❌ // sending to input port 'input' 13 } 14 }</pre>	

Listing 6.13: Violated CoCo T6: Violation of port directions

T7: Output ports must not be used as part of messages in a transition's input or output block.

References to input ports can be used for forwarding received messages on output ports. In this case the currently received value at the input port is forwarded as (a part of) the output. For output ports there are no current values which could be accessed and thus it is not allowed to reference output ports when constructing messages. Listing 6.14 demonstrates two different violations of context condition T7.

6.5. MAA_{ts} Specific Context Conditions

Some context conditions for MontiArcAutomaton models are specific to language profiles, e.g., the language profile for time-synchronous communication with strong causality (MAA_{ts} described in Section 4.1). We list these context conditions here.

 $S1_{ts}$: An atomic component contains at most one automaton.

The language profile MAA_{ts} does not allow the definition of two or more automata within the same component. Therefore plural automata declarations, as seen in Listing 6.15, are

	MontiArcAutomaton
<pre> 1 component IntegerBufferT7 { 2 3 port 4 in Boolean saveValue, 5 out Integer output; 6 7 Integer buffer; 8 9 automaton BufferAutomaton { 10 state S; 11 12 S true / buffer = output; 13 ❌ // output port 'output' used in message 14 S buffer = output; 15 ❌ // output port 'output' used as value 16 } 17 } </pre>	

Listing 6.14: Violated CoCo T7: Use of an output port in messages of a transition's output block

not permitted. Other language profiles can be defined to handle multiple and concurrent automata.

	MontiArcAutomaton-TS
<pre> 1 component IntegerBufferS1 { 2 3 automaton FirstBuffer { 4 // ... 5 } 6 7 automaton SecondBuffer { ❌ // multiple automata not 8 // allowed in this profile 9 // ... 10 } 11 } </pre>	

Listing 6.15: Violated CoCo S1_{ts} for profile MAA_{ts}: Multiple automata definitions

S2_{ts}: Ports must not be used as part of messages in initial state outputs.

Strong causality introduces a computation delay, i.e., an output may not depend on the input received at the same point in time. Thus, an initial output may not depend on values read from input ports. In Listing 6.16 it is shown that it is strictly forbidden

to reference ports within an initial state output. This context condition applies to the language profile MAA_{ts} .

	MontiArcAutomaton-TS
1	component IntegerBufferS2TS {
2	
3	port
4	in Integer input,
5	out Integer output;
6	
7	automaton BufferAutomaton {
8	state S, T;
9	
10	initial S / output = input;
11	❌ <i>// port in message for initial state output</i>
12	}
13	}

Listing 6.16: Violated CoCo $S2_{ts}$ for profile MAA_{ts} : A port as message source in an initial state output

$S3_{ts}$: In every cycle at most one message per port is sent.

The language profile MAA_{ts} does not allow emitting more than one message per port in a cycles. Listing 6.17 demonstrates a violation by sending a sequence of messages. This context condition applies to the language profile MAA_{ts} .

	MontiArcAutomaton-TS
1	component InitialFib {
2	
3	port
4	in Integer input,
5	out Integer output;
6	
7	automaton {
8	state S;
9	initial S / output = [0, 1, 1, 2, 3, 5, 8, 13];
10	❌ <i>// sending sequence of messages not allowed</i>
11	}
12	}

Listing 6.17: Violated CoCo $S3_{ts}$ for profile MAA_{ts} : Multiple messages per port

6.6. MAA_{ed} Specific Context Conditions

Some context conditions for MontiArcAutomaton models are specific to language profiles, e.g., the language profile for event-driven communication (MAA_{ed} described in Section 4.2). We list these context conditions here.

$S1_{ed}$ for profile MAA_{ed} : An atomic component contains at most one automaton.

The language profiles MAA_{ed} does not allow the definition of two or more automata within the same component. Therefore plural automata declarations, as seen in Listing 6.18, are not permitted. Other language profiles can be defined to handle multiple and concurrent automata.

```

MontiArcAutomaton-ED
1 component IntegerBufferS1 {
2
3   automaton FirstBuffer {
4     // ...
5   }
6
7   automaton SecondBuffer { ✘ // multiple automata not
8                                     // allowed in this profile
9     // ...
10  }
11 }
```

Listing 6.18: Violated CoCo $S1_{ed}$: Multiple automata definitions

$S2_{ed}$: All inputs must be processed one single message at a time.

The language profile for event-driven automata (see Section 4.4) demands that a transition is triggered by a single message on a single port. This is equivalent to various applications within embedded systems where events are represented by interrupts and routines handling them. For that reason it is not allowed for a transition to consume multiple messages at once. Listing 6.19 demonstrates a violation of context condition $S2_{ed}$ in two different ways. In line 11 two input ports are read in a guard expression. Likewise, line 13 violates the condition by simultaneously reading two messages from different ports directly.

	MontiArcAutomaton-ED
<pre> 1 component Filter { 2 3 port 4 in Integer input, 5 in Integer threshold, 6 out Integer output; 7 8 automaton BufferAutomaton { 9 state S; 10 11 S [ocl: input > threshold] / output = input; 12 ✘ // reading from multiple inputs inside a guard 13 S input = 1, threshold = 1 / output = -1; 14 ✘ // reading from multiple ports 15 } 16 }</pre>	

Listing 6.19: Violated CoCo $S2_{ed}$ for profile MAA_{ed} : Reading multiple messages **$S3_{ed}$: The `--` symbol may not be used as input in MAA_{ed} automata.**

The language profile for event-driven automata (see Section 4.4) does not allow triggering reactions by the absence of events. A violation is illustrated in Listing 6.20, l. 11.

	MontiArcAutomaton-ED
<pre> 1 component TemperatureMonitor { 2 port 3 in Integer temp, 4 out String message; 5 6 automaton { 7 state S; 8 initial S; 9 10 S x = 0 / cout = "freezing"; 11 S x = -- / cout = "nothing happened"; 12 ✘ // triggered by absence of an event 13 } 14 }</pre>	

Listing 6.20: Violated CoCo $S3_{ed}$ for profile MAA_{ed} : Using `--` as trigger

Chapter 7.

Case Studies

We have evaluated MontiArcAutomaton on several platforms from simulators to educational Lego NXT robots to complex service robots in a distributed robotic system. To evaluate MontiArcAutomaton on these platforms, we have developed code generators to different target languages [RRW13b], which include code generation to Mona [EKM98] (formal analysis), EMF Ecore¹ (graphical editing), and Java and Python (deployment). The code generators are generic in the sense, that they generate implementations of composed components and automata in their target language. Many applications require additional components to access platform specific software and hardware. MontiArcAutomaton libraries organize these models and their platform specific implementations

- for robots using ROS [QCG⁺09],
- for robots using SmartSoft [SSL11],
- for Lego NXT robots using leJOS², and
- for simulators such as ROS turtlesim³ and Simbad⁴.

The libraries comprise from 4 (ROS turtlesim) to 21 (leJOS NXT) components and can be easily imported by MontiArcAutomaton applications to use these with different platforms. Experiences with leJOS and ROS have shown that developing a library for a certain platform is relatively straightforward as the functionality wrapped per component is usually well defined by existing APIs. Additionally, we have developed GPL specific libraries to provide GPL functionalities (e.g., file I/O). We have evaluated MontiArcAutomaton in different projects and lab courses⁵ on various platforms.

Figure 7.1 depicts a Lego NXT robot, which is controlled by the bumper bot software architecture shown in Figure 3.2. All components of the software architecture are deployed to the NXT computation unit, which is connected to an ultrasonic sensor and two motors — one for each track. Please note how close the logical architecture reflects the physical implementation in this case.

¹The Eclipse Modeling Framework Project: <http://www.eclipse.org/modeling/emf/>

²leJOS website: <http://lejos.sourceforge.net/>

³ROS turtlesim website: <http://wiki.ros.org/turtlesim>

⁴Simbad website: <http://simbad.sourceforge.net/>

⁵Videos of results of these courses are available at <http://monticore.de/robotics/>.

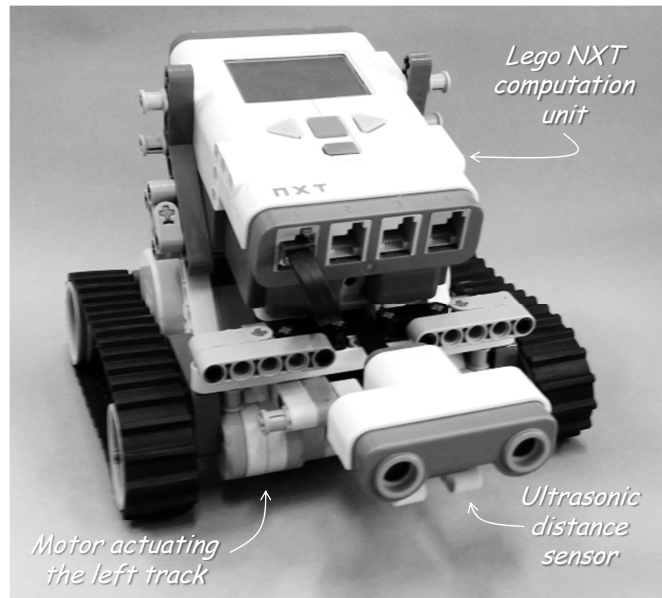


Figure 7.1.: A Lego NXT robot controlled by the bumper bot software architecture of Figure 3.2

7.1. Lego NXT Coffee Service

With MontiArcAutomaton, the Java code generator, and the Java leJOS NXT libraries, we evaluated the MontiArcAutomaton framework during a university lab course in the winter term 2012/13 with a eight master level students [RRW13a]. The students modeled the software architecture for a distributed robotic coffee service consisting of the three robots illustrated in Figure 7.2. The GPL Java was used to implement the behavior of components not easily expressible as automata (two out of ten component models).

The system enables users to issue requests for coffee via a website hosted on a smart phone. This phone is connected to the coffee preparation robot via Bluetooth. Once this robot receives a request, it informs the coffee delivery robot to fetch a plastic mug from the mug provider robot. Afterwards, it returns to the coffee preparation robot, instructs it via Bluetooth to make coffee and afterwards drives to the user who ordered the coffee using — in the absence of sophisticated localization sensors — black lanes with colored junctions.

7.2. ROS Robotino Logistics

In winter term 2013/14, we evaluated MontiArcAutomaton with a Python code generator and the ROS Python Robotino modules in another lab course. In this course, nine master level students developed a model-driven logistics application using a Robotino robot with a Kinect for user interaction. The software architecture was modeled with 31

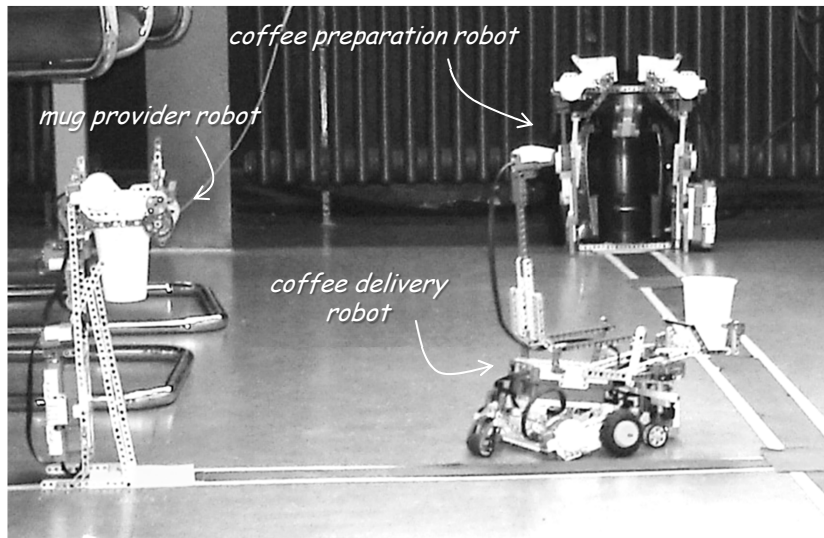


Figure 7.2.: The distributed robotic coffee service as implemented with Lego NXT robots running leJOS as target platform

components. Of these, nine contain automata and 17 have platform specific implementations. The top-level of this architecture is depicted in Figure 7.3. The components Navigation, MapProvider, and TaskManager are composed from other components. During this course, the students modeled the software architecture and programmed component GPL implementations where necessary (as, for instance, the behavior of the ROS-specific components wrapping the Kinect had to be implemented manually).

Here, a web server is hosted on the robot itself and receives tasks such as “fetch item X from room Y”. Automata translate these tasks into motion and interaction commands passed to components Navigation and UserInterface which translate these into platform-specific primitives.

7.3. SmartSoft Robotino Logistics

In a lab course of summer term 2014 we assigned the task to develop a robotics logistics application similar to the previous one. 14 students from different computer science bachelor and master programs participated. The students modeled the software architecture with MontiArcAutomaton and connected it to the SmartSoft [SSL11] middleware to control the robot. For his, they produced the architecture depicted in Figure 7.4. Of the depicted subcomponents, five are composed and two atomic.

To communicate with the robot, both a website and a tablet PC were used. Both are connected to the architecture via subcomponents of component Backend. Logistics tasks are passed from Backend to JobManager and translated into commands send to the SmartSoft middleware via component SequencerProxy.

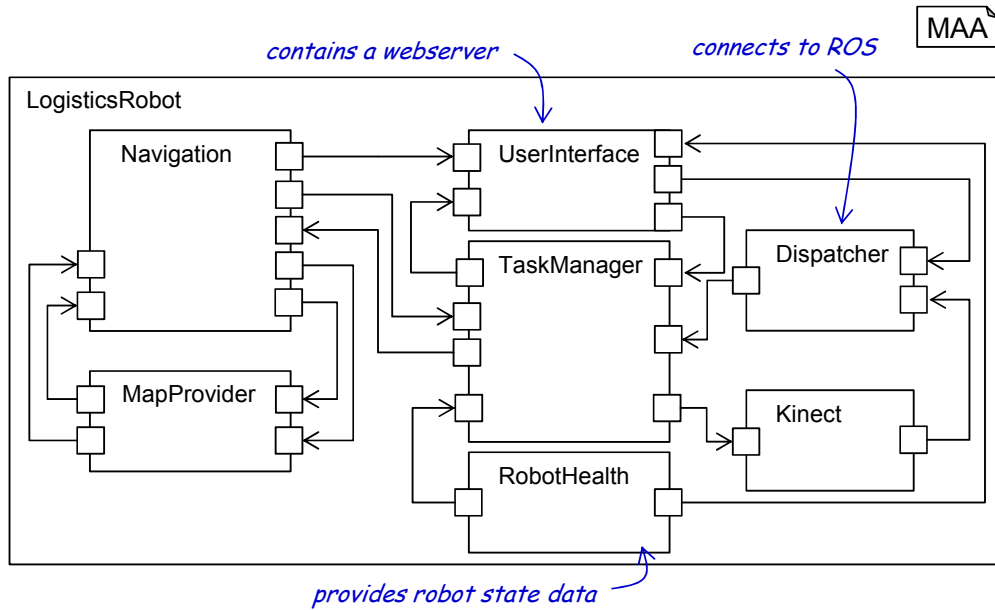


Figure 7.3.: The top-level architecture of the logistics application implemented during winter term 2013/14 for a Robotino running ROS and Python

7.4. IServeU

IServeU is a research project of various academic and professional partners revolving around the engineering and deployment of model-driven robotics applications to real-world contexts. In this 3-year project, funded by the German Federal Ministry of Education and Research (BMBF), MontiArcAutomaton is used to model the architecture and parts of the behavior for a logistics robotics application in a complex environment. MontiArcAutomaton serves as ADL for a high-level controller which again interfaces SmartSoft.

Figure 7.5 shows the core component `RobotController` of the IServeU top-level software architecture. The `RobotController` receives tasks and passes these to the `Scheduler` which decomposes them into individual goals passed to a task planner capable of reasoning about reaching goals based on the current situation and actions available to the robot. To deduct a valid plan it may read properties of the robot and its environment via component `PropertyCalculator`. Once a plan is deducted, the controller executes its actions via component `ActionExecutor`, which is connected to the underlying SmartSoft middleware.

All components types depicted are composed from multiple subcomponents and the software architecture comprises 20 different component types. Of these, seven are composed from other components and eight are atomic components containing automata. The behavior of two components is generated from high-level models of the robot and its capabilities.

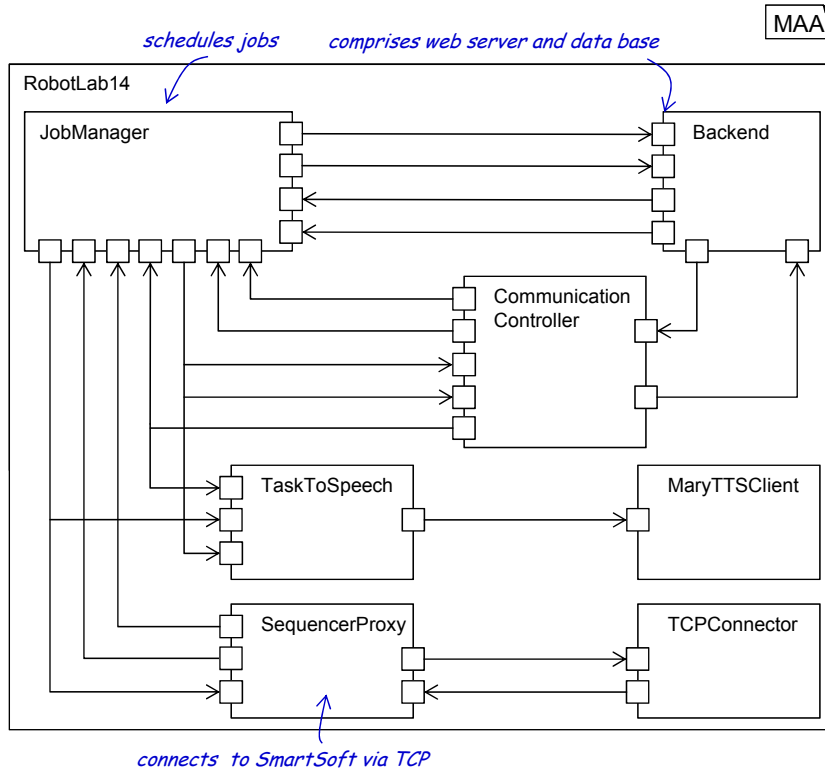


Figure 7.4.: Top-level architecture of the logistics application implemented in summer term 2014 for a Robotino running SmartSoft and Python. Five of the displayed components types are composed

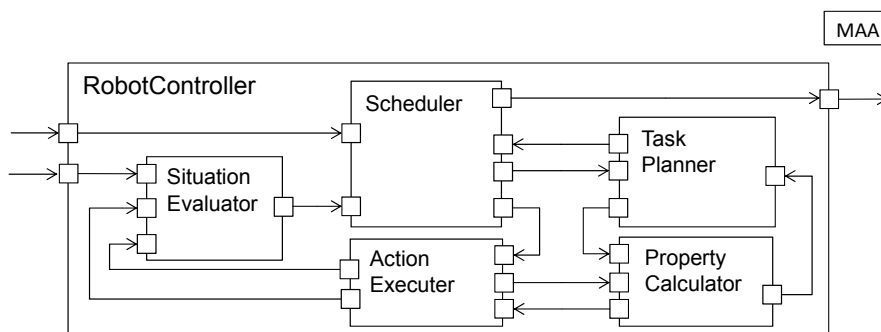


Figure 7.5.: The top-level architecture of the high-level robot MontiArcAutomaton controller employed in the IServeU project

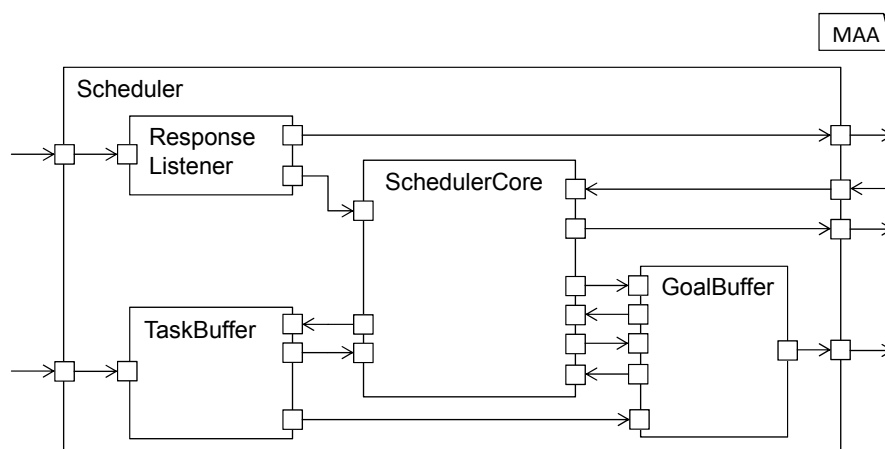


Figure 7.6.: The software architecture of component type Scheduler responsible for managing tasks and goal execution. The subcomponent SchedulerCore contains an automaton

The decomposed component Scheduler, depicted in Figure 7.6 takes care of overall task scheduling. For this, the automaton in subcomponent SchedulerCore breaks down tasks into individual goals and takes care of the remaining goals using the connected buffer components.

Chapter 8.

Discussion and Current Limitations

Based on the lessons learned from past and ongoing evaluation of the MontiArcAutomaton language and framework we discuss its possible extensions. The three main topics we address concern future directions of research around MontiArcAutomaton regarding the expressiveness of the language, its extensibility with additional behavior modeling languages, and the code generation and deployment to different robotics platforms.

8.1. Expressiveness of Automata for Behavior Modeling

We have evaluated the modeling language MontiArcAutomaton with groups of students regarding its expressiveness for modeling the behavior of robotic systems as described in Chapter 7. Regarding expressiveness of the behavior modeling part of MontiArcAutomaton we found out that some components are not easily modeled in MontiArcAutomaton. For example, the language is missing suitable means for modeling (dynamic) look-up tables and more complex algorithms, e.g., for computing shortest paths in a graph. Another limitation is the lack of expressiveness for message data manipulation in MontiArcAutomaton. Examples are the computation of arithmetic or logical expressions when assigning values to variables and sending messages on ports. We are currently working on extending these assignments to allow expressions similar to the OCL and Java expressions evaluated in guards.

To overcome current limitation of the language expressiveness in [RRW13a, RRW13b] we allowed native component implementations in programming languages such as Java and Python.

Expressing further properties of component behavior common in CPS requires more fundamental extensions of the automaton language. Many formalisms for modeling automata with (multiple) clocks, differential equations, and probabilities [Rab63, AD94, GSB98, LSV03, LS11] exist in the literature and could be integrated into MontiArcAutomaton. The semantics of MontiArcAutomaton is based on the FOCUS framework with powerful refinement and composition operators. Extensions the system model of FOCUS that support hybrid and dense-timed streams have been suggested in [SRS99]. We thus believe that the current MontiArcAutomaton can seamlessly be extended to model advanced features of CPS.

8.2. Extension with Additional Behavior Modeling Languages

One of the main concepts of MontiArcAutomaton is the composition of components from subcomponents with well-defined interfaces. The encapsulation of functionality in components and the hiding of implementation details not relevant for composition allow logically distributed development and physically distributed computation models. Encapsulation of component behavior and its composition in a uniform way following the FOCUS calculus makes MontiArcAutomaton amenable for extending component models with additional behavior description languages complementary to automata.

Examples for other component behavior modeling languages are simple, stateless I/O rules [RRW13c] or arbitrary domain specific languages defined using the MontiCore framework. We have presented extensions of MontiArcAutomaton with additional component behavior modeling languages and underlying concepts in [RRW13c, LPR⁺13].

8.3. Code Generation, Deployment, and Platforms

MontiArcAutomaton is a modeling language for architecture and behavior modeling of CPS. One application domain of MontiArcAutomaton are robotic systems. The transition from platform independent models to concrete platform dependent applications executable on systems of physical robots is a challenge to generative software engineering.

We have developed code generators for target languages including EMF, Java, Mona, and Python and to target platforms executing leJOS, ROS, and SmartSoft environments (see Chapter 7 and [RRW13b, RRW13c]). Current challenges in the efficient development of code generators are developing and applying concepts for compositional code generation as well as reusing (parts of) generators, models, and manual implementations for different target platforms. We report on an approach for reusing models and manual implementations organized in libraries in [RRW14].

Chapter 9.

Summary

In this work we presented a modeling language for the description of software architectures of Cyber Physical Systems as Component and Connector software architecture models. The modeling language MontiArcAutomaton extends the Architecture Description Language MontiArc and inherits all language features described in [HRR12]. MontiArcAutomaton thus allows the modeling of components with well-defined interfaces consisting of typed ports. Components are either modeled as the hierarchical composition of subcomponents interacting by exchanging messages via directed connectors between ports or as atomic components. The language integrates syntactical elements of I/O^ω automata into atomic component definitions to model the interaction behavior of components.

MontiArcAutomaton is a modeling language which allows the definition of language profiles to express automata for various models of computation of interactive systems. We sketched two language profiles and their semantics in Chapter 4. The syntax of MontiArcAutomaton automata is introduced in a comprehensive language reference in Chapter 5. The language reference covers all syntactical features added to the MontiArc language. These include automata with states and transitions that depend on the values of local variables and messages received on the input ports of a component. Components interact by sending messages via their output ports. MontiArcAutomaton also comprises well-formedness rules for models to ensure valid references and types. Their complete list was presented in Chapter 6. Examples for these rules are the existence of ports and variables referenced on transitions or the type compatibility of assigned values and messages sent.

One advantage of MontiArcAutomaton is its ability for modeling requirements for component behavior as well as component implementations [RRW12]. An application domain are robotics applications [RRW13c]. For this, we have implemented code generators for MontiArcAutomaton models to various target languages including executable code for robotics platforms [RRW13b]. The modeling language MontiArcAutomaton and its code generation framework were evaluated multiple case studies (Chapter 6) which led to identification of issues and possibilities for future extension (Chapter 8).

Bibliography

- [AD94] Rajeev Alur and David L. Dill. A theory of timed automata. *Theor. Comput. Sci.*, 126(2):183–235, 1994.
- [BCG12] Manfred Broy, María Victoria Cengarle, and Eva Geisberger. Cyber-physical systems: imminent challenges. In *Large-Scale Complex IT Systems. Development, Operation and Management*, pages 1–28. Springer, 2012.
- [BCGR09] Manfred Broy, María V. Cengarle, Hans Grönniger, and Bernhard Rumpe. Definition of the System Model. In Kevin Lano, editor, *UML 2 Semantics and Applications*. John Wiley & Sons, 2009.
- [BCR07] Manfred Broy, María Victoria Cengarle, and Bernhard Rumpe. Semantics of UML – Towards a System Model for UML: The State Machine Model. Technical Report TUM-I0711, Institut für Informatik, Technische Universität München, February 2007.
- [BFBFR07] Ricardo Bedin Franca, Jean-Paul Bodeveix, Mamoun Filali, and Jean-Francois Rolland. The aadl behavior annex-experiments and roadmap. In *Proceedings of the 12th IEEE International Conference on Engineering Complex Computer Systems. Washington, DC: IEEE Computer Society*, pages 377–382, 2007.
- [BKM⁺05] Alex Brooks, Tobias Kaupp, Alexei Makarenko, Stefan Williams, and Anders Oreback. Towards component-based robotics. In *Intelligent Robots and Systems, 2005.(IROS 2005). 2005 IEEE/RSJ International Conference on*, pages 163–168. IEEE, 2005.
- [BR07] Manfred Broy and Bernhard Rumpe. Modulare hierarchische Modellierung als Grundlage der Software- und Systementwicklung. *Informatik Spektrum*, 30(1):3–18, 2007.
- [BS01] Manfred Broy and Ketil Stølen. *Specification and Development of Interactive Systems. Focus on Streams, Interfaces and Refinement*. Springer Verlag Heidelberg, 2001.
- [CAS08] Alvaro A Cardenas, Saurabh Amin, and Shankar Sastry. Secure control: Towards survivable cyber-physical systems. *System*, 1(a2):a3, 2008.
- [CGR09] María Victoria Cengarle, Hans Grönniger, and Bernhard Rumpe. Variability within modeling language definitions. In Andy Schürr and Bran Selic,

- editors, *MoDELS*, volume 5795 of *Lecture Notes in Computer Science*, pages 670–684. Springer, 2009.
- [EKM98] Jacob Elgaard, Nils Klarlund, and Anders Møller. MONA 1.x: new techniques for WS1S and WS2S. In *Computer-Aided Verification, (CAV '98)*, volume 1427 of *LNCS*, pages 516–520. Springer-Verlag, 1998.
- [FG12] Peter H. Feiler and David P. Gluch. *Model-Based Engineering with AADL - An Introduction to the SAE Architecture Analysis and Design Language*. SEI series in software engineering. Addison-Wesley, 2012.
- [FMS11] Sanford Friedenthal, Alan Moore, and Rick Steiner. *A Practical Guide to SysML, Second Edition: The Systems Modeling Language (The MK/OMG Press)*. Morgan Kaufmann, 2011.
- [FR07] Robert France and Bernhard Rumpe. Model-driven development of complex software: A research roadmap. In *Future of Software Engineering 2007 at ICSE.*, pages 37–54, 2007.
- [GHK⁺07] Hans Grönniger, Jochen Hartmann, Holger Krahn, Stefan Kriebel, and Bernhard Rumpe. View-based modeling of function nets. In *Proceedings of the Object-oriented Modelling of Embedded Real-Time Systems (OMER4) Workshop, Paderborn.*, October 2007.
- [GHK⁺08] Hans Grönniger, Jochen Hartmann, Holger Krahn, Stefan Kriebel, Lutz Rothhardt, and Bernhard Rumpe. Modelling automotive function nets with views for features, variants, and modes. In *Proceedings of ERTS '08*, 2008.
- [GKR⁺08] Hans Grönniger, Holger Krahn, Bernhard Rumpe, Martin Schindler, and Steven Völkel. Monticore: a framework for the development of textual domain specific languages. In *30th International Conference on Software Engineering (ICSE 2008), Leipzig, Germany, May 10-18, 2008, Companion Volume*, pages 925–926, 2008.
- [GSB98] Radu Grosu, Thomas Stauner, and Manfred Broy. A Modular Visual Model for Hybrid Systems. In Anders Ravn and Hans Rischel, editors, *Formal Techniques in Real-Time and Fault-Tolerant Systems*, volume 1486 of *Lecture Notes in Computer Science*, pages 471–471. Springer Berlin / Heidelberg, 1998.
- [HC01] George T. Heineman and William T. Councill, editors. *Component-based software engineering: putting the pieces together*. Addison-Wesley Longman Publishing Co., Inc., Boston, MA, USA, 2001.
- [HF11] Florian Hölzl and Martin Feilkas. 13 autofocus 3-a scientific tool prototype for model-based development of component-based, reactive, distributed systems. In *Model-Based Engineering of Embedded Real-Time Systems*, pages 317–322. Springer, 2011.

- [HR04a] Grégoire Hamon and John Rushby. An operational semantics for stateflow. In Michel Wermelinger and Tiziana Margaria-Steffen, editors, *Fundamental Approaches to Software Engineering*, volume 2984 of *Lecture Notes in Computer Science*, pages 229–243. Springer Berlin Heidelberg, 2004.
- [HR04b] David Harel and Bernhard Rumpe. Meaningful Modeling: What’s the Semantics of “Semantics“? *Computer*, 37(10):64–72, 2004.
- [HRR⁺11] Arne Haber, Holger Rendel, Bernhard Rumpe, Ina Schaefer, and Frank van der Linden. Hierarchical Variability Modeling for Software Architectures. In *Proceedings of the 15th International Software Product Line Conference - SPLC 2011*, 2011. (to appear).
- [HRR12] Arne Haber, Jan Oliver Ringert, and Bernhard Rumpe. MontiArc - Architectural Modeling of Interactive Distributed and Cyber-Physical Systems. Technical Report AIB-2012-03, RWTH Aachen, February 2012.
- [HRRS11] Arne Haber, Holger Rendel, Bernhard Rumpe, and Ina Schaefer. Delta Modeling for Software Architectures. In *Tagungsband des Dagstuhl-Workshop MBEES: Modellbasierte Entwicklung eingebetteter Systeme VII*, Munich, Germany, February 2011. fortiss GmbH.
- [HRRS12] Arne Haber, Holger Rendel, Bernhard Rumpe, and Ina Schaefer. Evolving Delta-oriented Software Product Line Architectures. In *Large-Scale Complex IT Systems. Development, Operation and Management, 17th Monterey Workshop 2012*, LNCS 7539, pages 183–208, Oxford, UK, March 2012. Springer.
- [Kir11] Dennis Kirch. Analysis of Behavioral Specifications for Distributed Interactive Systems with MONA. Bachelor Thesis, RWTH Aachen University, 2011.
- [KRS12] Stefan Kowalewski, Bernhard Rumpe, and Andre Stollenwerk. Cyber-Physical Systems - eine Herausforderung an die Automatisierungstechnik? In *Proceedings of Automation 2012*, pages 113–116, 2012.
- [KRV08] Holger Krahn, Bernhard Rumpe, and Steven Völkel. Monticore: Modular development of textual domain specific languages. In *Proceedings of Tools Europe*, 2008.
- [Lee06] Edward A Lee. Cyber-Physical Systems - Are Computing Foundations Adequate? In *Position Paper for NSF Workshop On Cyber-Physical Systems: Research Motivation, Techniques and Roadmap*, 2006.
- [Lee08] Edward A Lee. Cyber Physical Systems : Design Challenges. *Electrical Engineering*, 2008.

- [Lee10] Edward A. Lee. Cps foundations. In *Proceedings of the 47th Design Automation Conference, DAC '10*, pages 737–742, New York, NY, USA, 2010. ACM.
- [LPR⁺13] Markus Look, Antonio Navarro Pérez, Jan Oliver Ringert, Bernhard Rumpe, and Andreas Wortmann. Black-box Integration of Heterogeneous Modeling Languages for Cyber-Physical Systems. In Bernhard Combemale, Julien De Antoni, and Robert B. France, editors, *GEMOC Workshop 2013 – International Workshop on The Globalization of Modeling Languages*, volume 1102 of *CEUR Workshop Proceedings*. CEUR-WS.org, Miami, Florida (USA), 2013.
- [LS11] Edward Ashford Lee and Sanjit Arunkumar Seshia. *Introduction to Embedded Systems — A Cyber-Physical Systems Approach*. LeeSeshia.org, first edition, version 1.08 edition, 2011.
- [LSV03] Nancy A. Lynch, Roberto Segala, and Frits W. Vaandrager. Hybrid I/O Automata. *Inf. Comput.*, 185(1):105–157, 2003.
- [Mar12] Philip Martzok. Action-Stream-Based Modeling of Robots using I/O^ω-automata and MontiArc. Bachelor Thesis, RWTH Aachen University, 2012.
- [MC12] Alvaro Miyazawa and Ana Cavalcanti. Refinement-oriented models of state-flow charts. *Science of Computer Programming*, 77(10):1151–1177, 2012.
- [McI68a] Douglas McIlroy. Mass-Produced Software Components. In *Proceedings of the 1st International Conference on Software Engineering, Garmisch Patenkirchen, Germany*, pages 88–98, 1968.
- [McI68b] M. D. McIlroy. Mass-produced software components. *Proc. NATO Conf. on Software Engineering, Garmisch, Germany*, 1968.
- [MRR13] Shahar Maoz, Jan Oliver Ringert, and Bernhard Rumpe. Synthesis of component and connector models from crosscutting structural views. In Bertrand Meyer, Luciano Baresi, and Mira Mezini, editors, *ESEC/SIGSOFT FSE*, pages 444–454. ACM, 2013.
- [MRR14] Shahar Maoz, Jan Oliver Ringert, and Bernhard Rumpe. Verifying component and connector models against crosscutting structural views. In Pankaj Jalote, Lionel C. Briand, and André van der Hoek, editors, *ICSE*, pages 95–105. ACM, 2014.
- [MT00] Nenad Medvidovic and Richard N. Taylor. A Classification and Comparison Framework for Software Architecture Description Languages. *IEEE Transactions on Software Engineering*, 2000.

- [NFBL10] Tim Niemueller, Alexander Ferrein, Daniel Beck, and Gerhard Lakemeyer. Design Principles of the Component-Based Robot Software Framework Fawkes. In N. Ando, S. Balakirsky, T. Hemker, M. Reggiani, and O. von Stryk, editors, *Simulation, Modeling, and Programming for Autonomous Robots Proceedings of the 2nd International Conference on Simulation, Modeling and Programming for Autonomous Robots*, volume 6472 of *Lecture Notes in Computer Science*, chapter NFB+10, pages 300–311. Springer, Darmstadt, Germany, 2010.
- [NPR13] Antonio Navarro Pérez and Bernhard Rumpe. Modeling cloud architectures as interactive systems. In *MDHPCL@ MoDELS*, pages 15–24, 2013.
- [OMG10] Object Management Group. OMG Unified Modeling Language (OMG UML), Superstructure Version 2.3 (10-05-05), May 2010. <http://www.omg.org/spec/UML/2.3/Superstructure/PDF/>.
- [QCG⁺09] Morgan Quigley, Ken Conley, Brian P. Gerkey, Josh Faust, Tully Foote, Jeremy Leibs, Rob Wheeler, and Andrew Y. Ng. Ros: an open-source robot operating system. In *ICRA Workshop on Open Source Software*, 2009.
- [Rab63] Michael O. Rabin. Probabilistic automata. *Information and Control*, 6(3):230–245, 1963.
- [Rin14] Jan Oliver Ringert. *Analysis and Synthesis of Interactive Component and Connector Systems*, volume 19 of *Aachener Informatik-Berichte, Software Engineering*. Shaker Verlag, 2014.
- [RR11] Jan Oliver Ringert and Bernhard Rumpe. A Little Synopsis on Streams, Stream Processing Functions, and State-Based Stream Processing. *International Journal of Software and Informatics*, 5(1-2):29–53, July 2011.
- [RRW12] Jan Oliver Ringert, Bernhard Rumpe, and Andreas Wortmann. A Requirements Modeling Language for the Component Behavior of Cyber Physical Robotics Systems. In Norbert Seyff and Anne Koziolk, editors, *Modelling and Quality in Requirements Engineering: Essays Dedicated to Martin Glinz on the Occasion of His 60th Birthday*, pages 143–155. Monsenstein und Vannerdat, Münster, 2012.
- [RRW13a] Jan Oliver Ringert, Bernhard Rumpe, and Andreas Wortmann. A Case Study on Model-Based Development of Robotic Systems using MontiArc with Embedded Automata. In Holger Giese, Michaela Huhn, Jan Philipps, and Bernhard Schätz, editors, *Dagstuhl-Workshop MBEES: Modellbasierte Entwicklung eingebetteter Systeme*, pages 30–43, 2013.
- [RRW13b] Jan Oliver Ringert, Bernhard Rumpe, and Andreas Wortmann. From Software Architecture Structure and Behavior Modeling to Implementations of Cyber-Physical Systems. In Stefan Wagner and Horst Lichter, editor,

- Software Engineering 2013 Workshopband*, LNI, pages 155–170. GI, Köllen Druck+Verlag GmbH, Bonn, 2013.
- [RRW13c] Jan Oliver Ringert, Bernhard Rumpe, and Andreas Wortmann. Monti-ArcAutomaton : Modeling Architecture and Behavior of Robotic Systems. In *Workshops and Tutorials Proceedings of the International Conference on Robotics and Automation (ICRA)*, Karlsruhe, Germany, 2013.
- [RRW14] Jan Oliver Ringert, Bernhard Rumpe, and Andreas Wortmann. Multi-Platform Generative Development of Component & Connector Systems using Model and Code Libraries. In Federico Ciccozzi, Massimo Tivoli, and Jan Carlson, editors, *1st International Workshop on Model-Driven Engineering for Component-Based Software Systems (ModComp) 2014*. CEUR-WS.org, Valencia (Spain), 2014.
- [Rum96] Bernhard Rumpe. *Formale Methodik des Entwurfs verteilter objektorientierter Systeme*. Doktorarbeit, Technische Universität München, 1996.
- [Sch12] Martin Schindler. *Eine Werkzeuginfrastruktur zur agilen Entwicklung mit der UML/P*, volume 11 of *Aachener Informatik-Berichte, Software Engineering*. Shaker Verlag, 2012.
- [Sel03] Bran Selic. The pragmatics of model-driven development. *IEEE software*, 20(5):19–25, 2003.
- [SRS99] Thomas Stauner, Bernhard Rumpe, and Peter Scholz. Hybrid System Model. Technical Report TUM-I9903, Technische Universität München, 1999.
- [SSL11] Christian Schlegel, Andreas Steck, and Alex Lotz. Model-Driven Software Development in Robotics : Communication Patterns as Key for a Robotics Component Model. In Daisuke Chugo and Sho Yokota, editors, *Introduction to Modern Robotics*. iConcept Press, 2011.
- [SVEH05] Thomas Stahl, Markus Völter, Sven Efftinge, and Arno Haase. *Modellgetriebene Softwareentwicklung: Techniken, Engineering, Management*. Dpunkt Verlag, 2005.
- [TMD09] Richard N. Taylor, Nenad Medvidovic, and Eric M. Dashofy. *Software Architecture: Foundations, Theory, and Practice*. John Wiley and Sons, Inc., 1 edition, 2009.
- [Tya12] Agam Kumar Tyagi. *MATLAB and SIMULINK for Engineers*. Oxford University Press, 2012.
- [Vö11] Steven Völkel. *Kompositionale Entwicklung domänenspezifischer Sprachen*. Aachener Informatik-Berichte, Software Engineering Band 9. 2011. Shaker Verlag, 2011.

- [Wei06] Tim Weilkiens. Systems engineering mit sysml. *UML. dpunkt. verlag*, 2006.
- [wwwa] Mathworks Stateflow. <http://www.mathworks.de/products/stateflow/index.html>. Accessed: 10/2013.
- [wwwb] MontiArc website <http://www.monticore.de/languages/montiarc/>.
- [wwwc] MontiCore website <http://www.monticore.de>.
- [YHMP09] Zhibin Yang, Kai Hu, Dianfu Ma, and Lei Pi. Towards a formal semantics for the aadl behavior annex. In *Design, Automation Test in Europe Conference Exhibition, 2009. DATE '09.*, pages 1166–1171, April 2009.

List of Figures

2.2.	Architecture of the composed component <code>BumperBot</code> for the bumper bot robot with its subcomponents.	3
2.4.	Enumeration types used for the <code>BumperBot</code> example	4
3.2.	Atomic component <code>BumpControl</code> of the bumper bot robot	7
4.6.	A robotic arm capable of picking up a toast	17
7.1.	A Lego NXT robot controlled by the bumper bot software architecture of Figure 3.2	44
7.2.	The distributed robotic coffee service as implemented with Lego NXT robots running <code>leJOS</code> as target platform	45
7.3.	The top-level architecture of the logistics application implemented during winter term 2013/14 for a Robotino running <code>ROS</code> and <code>Python</code>	46
7.4.	Top-level architecture of the logistics application implemented in summer term 2014 for a Robotino running <code>SmartSoft</code> and <code>Python</code> . Five of the displayed components types are composed	47
7.5.	The top-level architecture of the high-level robot <code>MontiArcAutomaton</code> controller employed in the <code>IServeU</code> project	47
7.6.	The software architecture of component type <code>Scheduler</code> responsible for managing tasks and goal execution. The subcomponent <code>SchedulerCore</code> contains an automaton	48

List of Listings

3.3.	The component <code>BumpControl</code> in textual syntax	9
4.2.	The MAA_{ts} automaton of component <code>FollowTheLeaderOnline</code> to follow a leading object while staying in lane	15
4.7.	The MAA_{ed} automaton of a robotic arm controller for picking up and dropping toast	18
5.1.	Definition of an automaton with name <code>BufferAutomaton</code> inside component <code>IntegerBuffer</code>	20
5.2.	Variable declarations inside a <code>MontiArcAutomaton</code> component	20
5.3.	Usage of literal values <code>true</code> and <code>0</code>	21
5.4.	Sequences of values sent on output ports	22
5.5.	Definition of states <code>S</code> , and <code>T</code> with state <code>T</code> having the stereotype <code>«error»</code>	22
5.6.	Definition of an initial state <code>S</code> with initial output <code>0</code>	23
5.7.	Two guard expressions using the embedded OCL/P and Java respectively	25
5.8.	A component with three transitions and different valuations	25
5.9.	Transitions producing two output messages of type <code>String</code>	26
5.10.	Setting the variable <code>buffer</code> on transitions	27
5.11.	The generic <code>Arbiter</code> component selects and forwards one of two inputs based on the messages received on port <code>mode</code>	28
6.1.	Violated CoCo U1: Two automata definitions with equal name	30
6.2.	Violated CoCo U2: Duplicate state definitions	30
6.3.	Violated CoCo U3: Duplicate variable definitions	31
6.4.	Violated CoCo C1: Missing initial state declaration	31
6.5.	Violated CoCos C2, C3, C4: Variable, automata, and state names are not defined in compliance to <code>MontiArcAutomaton</code> conventions	32
6.6.	Violated CoCo R1: Reference to an undefined state	33
6.7.	Violated CoCo R2: Multiple undefined ports and variables	33
6.8.	Violated CoCo T1: Using incorrectly typed values with ports or variables	34
6.9.	Violated CoCo T2: Assigning incompatible values in variable declaration statements	35
6.10.	Violated CoCo T3: Constructing a message sequence with an invalid concatenation of messages of incompatible types and assigning a message of an incompatible type to a variable (l. 13)	35
6.11.	Violated CoCo T4: Assigning and reading <code>NoData</code> from variables	36
6.12.	Violated CoCo T5: Writing and reading sequences of values from variables	36

6.13. Violated CoCo T6: Violation of port directions	37
6.14. Violated CoCo T7: Use of an output port in messages of a transition's output block	38
6.15. Violated CoCo S1 _{ts} for profile MAA _{ts} : Multiple automata definitions . . .	38
6.16. Violated CoCo S2 _{ts} for profile MAA _{ts} : A port as message source in an initial state output	39
6.17. Violated CoCo S3 _{ts} for profile MAA _{ts} : Multiple messages per port	39
6.18. Violated CoCo S1 _{ed} : Multiple automata definitions	40
6.19. Violated CoCo S2 _{ed} for profile MAA _{ed} : Reading multiple messages	41
6.20. Violated CoCo S3 _{ed} for profile MAA _{ed} : Using -- as trigger	41
A.1. The complete MontiArcAutomaton grammar for human readers	65
B.1. The MontiArcAutomaton grammar for parsing	67

Appendix A.

Human Readable Grammar

The MontiArcAutomaton grammar shown in Listing A.1 is provided for human comprehension in EBNF-like style. It is a simplified version of the MontiCore grammar used to create MontiArcAutomaton models and describes the concrete syntax only.

MontiArcAutomaton extends the MontiArc grammar (l. 3), which is given in the appendix of [HRR12]. The MontiArcAutomaton grammar introduces productions Automaton (ll. 5-7) and VariableDeclaration (l. 9) and the productions used by these. Both, Automaton and VariableDeclaration, can be used inside components independently.

The Automaton production rule is composed from production rules for States (l. 13), InitialStates (l. 17), and Transition (l. 19). These contain the productions for the language elements described in Chapter 5.

	MontiCore Grammar
1	package mc.maautomaton;
2	
3	grammar MontiArcAutomaton extends MontiArc {
4	
5	Automaton =
6	Stereotype? "automaton" Name? "{"
7	(States InitialStates Transition)* "};"
8	
9	Variables = "var"? Type (VariableAssignment ",")+ ";;"
10	
11	VariableAssignment = Name ("=" Value)?;
12	
13	States = "state" (State ",")+ ";;" ;
14	
15	State = Stereotype? Name;
16	
17	InitialStates = "initial" (Name ",")+ ("/" Output)? ";;"
18	
19	Transition =
20	source:Name ("->" target:Name)?
21	Guard? Input? ("/" Output)? ";;"
22	
23	Guard = "[" InvariantContent "]" ;

```
24
25 Input = "{" MatchList "}" | MatchList;
26
27 MatchList = (Match||",")+;
28
29 Match = (Name "=")? (OptionalValue||"")+;
30
31 OptionalValue = Value | "--";
32
33 Output = "{" AssignmentList "}" | AssignmentList;
34
35 AssignmentList = (Assignment||",")+;
36
37 Assignment = (Name "=")? (OptionalValueOrSequence||"")+;
38
39 OptionalValueOrSequence = OptionalValue | ValueSequence;
40
41 ValueSequence = "[" (Value||",")* "]" ;
42 }
```

Listing A.1: The complete MontiArcAutomaton grammar for human readers

Appendix B.

Parser Grammar

The MontiArcAutomaton grammar in Listing B.1 is used as input for the MontiCore tool to parse MontiArcAutomaton models and create Abstract Syntax Trees (AST). It contains additional information for the MontiCore parser and lexer framework (ll. 5-9) as well as specific rules to improve parsing. Integration of new language elements into MontiArc components is enabled via the interface `ArcElement` (cf. [HRR12]), which both `Automaton` and `VariableDeclaration` implement (ll. 11 and 18). The production for the `--` terminal similarly implements the interface `Value` which enables to use `--` within guard expressions as well.

	MontiCore Grammar
1	<code>package mc.maautomaton;</code>
2	
3	<code>grammar MontiArcAutomaton extends mc.uml.p.arc.MontiArc {</code>
4	
5	<code>options {</code>
6	<code>compilationunit ArcComponent</code>
7	<code>parser lookahead=5</code>
8	<code>lexer lookahead=7</code>
9	<code>}</code>
10	
11	<code>Automaton implements (Stereotype? "automaton" Name?) =></code>
12	<code>ArcElement =</code>
13	<code>Stereotype? "automaton" Name? "{"</code>
14	<code>(States InitialStates Transition)* "}"</code> ;
15	
16	<code>NoData implements ("--") => Value = "--";</code>
17	
18	<code>Variables = "var"? Type</code>
19	<code>VariableAssignment ("," VariableAssignment)* ";"</code> ;
20	
21	<code>VariableAssignment = Name ("=" Value)?;</code>
22	
23	<code>States = "state" State ("," State)* ";" ;</code>
24	
25	<code>State = Stereotype? Name;</code>
26	

```

27 InitialStates = "initial" Name ("," Name)* ("/" Output)? ";"
28
29 Transition =
30     source:Name ("->" target:Name)?
31     Guard? Input? ("/" Output)? ";"
32
33 Guard = "[" (kind:Name ":")? InvariantContent "]"
34
35 Input = "{" MatchList "}" | MatchList
36
37 MatchList = Match ("," Match)*
38
39 Match = (Name "=")? OptionalValue ("|" OptionalValue)*
40
41 OptionalValue = Value | NoData
42
43 Output = "{" AssignmentList "}" | AssignmentList
44
45 AssignmentList = Assignment ("," Assignment)*
46
47 Assignment = (Name "=")?
48     (OptionalValueOrSequence ("|" OptionalValueOrSequence))*
49
50 OptionalValueOrSequence = OptionalValue | ValueSequence
51
52 ValueSequence = "[" (Value|"," )* "]"
53
54 ValueSequence = "[" (Value ("," Value)*)? "]"
55
56 }

```

Listing B.1: The MontiArcAutomaton grammar for parsing

Related Interesting Work from the SE Group, RWTH Aachen

The following section gives an overview on related work done at the SE Group, RWTH Aachen. More details can be found on the website www.se-rwth.de/topics/ or in [HMR⁺19]. The work presented here mainly has been guided by our mission statement:

Our mission is to define, improve, and industrially apply *techniques, concepts, and methods* for *innovative and efficient development* of software and software-intensive systems, such that *high-quality* products can be developed in a *shorter period of time* and with *flexible integration of changing requirements*. Furthermore, we *demonstrate the applicability* of our results in various domains and potentially refine these results in a domain specific form.

Agile Model Based Software Engineering

Agility and modeling in the same project? This question was raised in [Rum04]: “Using an executable, yet abstract and multi-view modeling language for modeling, designing and programming still allows to use an agile development process.”, [JWCR18] addresses the question how digital and organizational techniques help to cope with physical distance of developers and [RRSW17] addresses how to teach agile modeling. Modeling will increasingly be used in development projects, if the benefits become evident early, e.g with executable UML [Rum02] and tests [Rum03]. In [GKRS06], for example, we concentrate on the integration of models and ordinary programming code. In [Rum12] and [Rum16], the UML/P, a variant of the UML especially designed for programming, refactoring and evolution, is defined. The language workbench MontiCore [GKR⁺06, GKR⁺08, HR17] is used to realize the UML/P [Sch12]. Links to further research, e.g., include a general discussion of how to manage and evolve models [LRSS10], a precise definition for model composition as well as model languages [HKR⁺09] and refactoring in various modeling and programming languages [PR03]. In [FHR08] we describe a set of general requirements for model quality. Finally, [KRV06] discusses the additional roles and activities necessary in a DSL-based software development project. In [CEG⁺14] we discuss how to improve the reliability of adaptivity through models at runtime, which will allow developers to delay design decisions to runtime adaptation.

Artifacts in Complex Development Projects

Developing modern software solutions has become an increasingly complex and time consuming process. Managing the complexity, size, and number of the artifacts developed and used during a project together with their complex relationships is not trivial [BGRW17]. To keep track of relevant structures, artifacts, and their relations in order to be able e.g. to evolve or adapt models and their implementing code, the *artifact model* [GHR17] was introduced. [BGRW18] explains its applicability in systems engineering based on MDSE projects.

An artifact model basically is a meta-data structure that explains which kinds of artifacts, namely code files, models, requirements files, etc. exist and how these artifacts are related to each other. The artifact model therefore covers the wide range of human activities during the development down to fully automated, repeatable build scripts. The artifact model can be used to optimize parallelization during the development and building, but also to identify deviations of the real architecture and dependencies from the desired, idealistic architecture, for cost estimations, for requirements and bug tracing, etc. Results can be measured using metrics or visualized as graphs.

Artificial Intelligence in Software Engineering

MontiAnna is a family of explicit domain specific languages for the concise description of the architecture of (1) a neural network, (2) its training, and (3) the training data [KNP⁺19]. We have developed a compositional technique to integrate neural networks into larger software architectures [KRRvW17] as standardized machine learning components [KPRS19]. This enables the compiler to support the systems engineer by automating the lifecycle of such components including multiple learning approaches such as supervised learning, reinforcement learning, or generative adversarial networks. According to [MRR11g] the semantic difference between two models are the elements contained in the semantics of the one model that are not elements in the semantics of the other model. A smart semantic differencing operator is an automatic procedure for computing diff witnesses for two given models. Smart semantic differencing operators have been defined for Activity Diagrams [MRR11a], Class Diagrams [MRR11d], Feature Models [DKMR19], Statecharts [DEKR19], and Message-Driven Component and Connector Architectures [BKRW17, BKRW19]. We also developed a modeling language-independent method for determining syntactic changes that are responsible for the existence of semantic differences [KR18].

We apply logic, knowledge representation and intelligent reasoning to software engineering to perform correctness proofs, execute symbolic tests or find counterexamples using a theorem prover. And we have applied it to challenges in intelligent flight control systems and assistance systems for air or road traffic management [KRRS19, HRR12] and based it on the core ideas of Broy's Focus theory [RR11, BR07]. Intelligent testing strategies have been applied to automotive software engineering [EJK⁺19, DGH⁺19, KMS⁺18], or more generally in systems engineering [DGH⁺18]. These methods are realized for a variant of SysML Activity Diagrams and Statecharts.

Machine Learning has been applied to the massive amount of observable data in energy management for buildings [FLP⁺11a, KLPR12] and city quarters [GLPR15] to optimize the operation efficiency and prevent unneeded CO2 emissions or reduce costs. This creates a structural and behavioral system theoretical view on cyber-physical systems understandable as essential parts of digital twins [RW18, BDH⁺20].

Generative Software Engineering

The UML/P language family [Rum12, Rum11, Rum16] is a simplified and semantically sound derivate of the UML designed for product and test code generation. [Sch12] describes a flexible generator for the UML/P based on the MontiCore language workbench [KRV10, GKR⁺06, GKR⁺08, HR17]. In [KRV06], we discuss additional roles necessary in a model-based software development project. [GKRS06, GHK⁺15b] discuss mechanisms to keep generated and handwritten code separated. In [Wei12], we demonstrate how to systematically derive a transformation language in concrete syntax. [HMSNRW16] presents how to generate extensible and statically type-safe visitors. In [MSNRR16], we propose the use of symbols for ensuring the validity of generated source code. [GMR⁺16] discusses product lines of template-based code generators. We also developed an approach for engineering reusable language components [HLMSN⁺15b, HLMSN⁺15a]. To understand the implications of executability for UML, we discuss needs and advantages of executable modeling with UML in agile projects in [Rum04], how to apply UML for testing in [Rum03], and the advantages and perils of using modeling languages for programming in [Rum02].

Unified Modeling Language (UML)

Starting with an early identification of challenges for the standardization of the UML in [KER99] many of our contributions build on the UML/P variant, which is described in the books [Rum16, Rum17]

respectively [Rum12, Rum13] and is implemented in [Sch12]. Semantic variation points of the UML are discussed in [GR11]. We discuss formal semantics for UML [BHP⁺98] and describe UML semantics using the “System Model” [BCGR09a], [BCGR09b], [BCR07b] and [BCR07a]. Semantic variation points have, e.g., been applied to define class diagram semantics [CGR08]. A precisely defined semantics for variations is applied, when checking variants of class diagrams [MRR11c] and objects diagrams [MRR11e] or the consistency of both kinds of diagrams [MRR11f]. We also apply these concepts to activity diagrams [MRR11b] which allows us to check for semantic differences of activity diagrams [MRR11a]. The basic semantics for ADs and their semantic variation points is given in [GRR10]. We also discuss how to ensure and identify model quality [FHR08], how models, views and the system under development correlate to each other [BGH⁺98], and how to use modeling in agile development projects [Rum04], [Rum02]. The question how to adapt and extend the UML is discussed in [PFR02] describing product line annotations for UML and more general discussions and insights on how to use meta-modeling for defining and adapting the UML are included in [EFLR99], [FELR98] and [SRVK10].

Domain Specific Languages (DSLs)

Computer science is about languages. Domain Specific Languages (DSLs) are better to use, but need appropriate tooling. The MontiCore language workbench [GKR⁺06, KRV10, Kra10, GKR⁺08, HR17] allows the specification of an integrated abstract and concrete syntax format [KRV07b, HR17] for easy development. New languages and tools can be defined in modular forms [KRV08, GKR⁺07, Völ11, HLMSN⁺15b, HLMSN⁺15a, HRW18, BEK⁺18a, BEK⁺18b, BEK⁺19] and can, thus, easily be reused. We discuss the roles in software development using domain specific languages in [KRV14]. [Wei12] presents a tool that allows to create transformation rules tailored to an underlying DSL. Variability in DSL definitions has been examined in [GR11, GMR⁺16]. [BDL⁺18] presents a method to derive internal DSLs from grammars. In [BJRW18], we discuss the translation from grammars to accurate meta-models. Successful applications have been carried out in the Air Traffic Management [ZPK⁺11] and television [DHH⁺20] domains. Based on the concepts described above, meta modeling, model analyses and model evolution have been discussed in [LRSS10] and [SRVK10]. DSL quality [FHR08], instructions for defining views [GHK⁺07], guidelines to define DSLs [KKP⁺09] and Eclipse-based tooling for DSLs [KRV07a] complete the collection.

Software Language Engineering

For a systematic definition of languages using composition of reusable and adaptable language components, we adopt an engineering viewpoint on these techniques. General ideas on how to engineer a language can be found in the GeMoC initiative [CBCR15, CCF⁺15] and the concern-oriented language development approach [CKM⁺18]. As said, the MontiCore language workbench provides techniques for an integrated definition of languages [KRV07b, Kra10, KRV10, HR17, HRW18, BEK⁺19]. In [SRVK10] we discuss the possibilities and the challenges using metamodels for language definition. Modular composition, however, is a core concept to reuse language components like in MontiCore for the frontend [Völ11, KRV08, HLMSN⁺15b, HLMSN⁺15a, HMSNRW16, HR17, BEK⁺18a, BEK⁺18b, BEK⁺19] and the backend [RRRW15, MSNRR16, GMR⁺16, HR17, BEK⁺18b]. In [GHK⁺15a, GHK⁺15b], we discuss the integration of handwritten and generated object-oriented code. [KRV14] describes the roles in software development using domain specific languages. Language derivation is to our believe a promising technique to develop new languages for a specific purpose that rely on existing basic languages [HRW18]. How to automatically derive such a transformation language using concrete syntax of the base language

is described in [HRW15, Wei12] and successfully applied to various DSLs. We also applied the language derivation technique to tagging languages that decorate a base language [GLRR15] and delta languages [HHK⁺15a, HHK⁺13], where a delta language is derived from a base language to be able to constructively describe differences between model variants usable to build feature sets. The derivation of internal DSLs from grammars is discussed in [BDL⁺18] and a translation of grammars to accurate metamodels in [BJRW18].

Modeling Software Architecture & the MontiArc Tool

Distributed interactive systems communicate via messages on a bus, discrete event signals, streams of telephone or video data, method invocation, or data structures passed between software services. We use streams, statemachines and components [BR07] as well as expressive forms of composition and refinement [PR99, RW18] for semantics. Furthermore, we built a concrete tooling infrastructure called MontiArc [HRR12] for architecture design and extensions for states [RRW13b]. In [RRW13a], we introduce a code generation framework for MontiArc. MontiArc was extended to describe variability [HRR⁺11] using deltas [HRRS11, HKR⁺11] and evolution on deltas [HRRS12]. Other extensions are concerned with modeling cloud architectures [NPR13] and with the robotics domain [AHRW17a, AHRW17b]. [GHK⁺07] and [GHK⁺08a] close the gap between the requirements and the logical architecture and [GKPR08] extends it to model variants. [MRR14b] provides a precise technique to verify consistency of architectural views [Rin14, MRR13] against a complete architecture in order to increase reusability. We discuss the synthesis problem for these views in [MRR14a]. Co-evolution of architecture is discussed in [MMR10] and modeling techniques to describe dynamic architectures are shown in [HRR98, BHK⁺17, KKR19].

Compositionality & Modularity of Models

[HKR⁺09] motivates the basic mechanisms for modularity and compositionality for modeling. The mechanisms for distributed systems are shown in [BR07, RW18] and algebraically grounded in [HKR⁺07]. Semantic and methodical aspects of model composition [KRV08] led to the language workbench MontiCore [KRV10, HR17] that can even be used to develop modeling tools in a compositional form [HR17, HLMSN⁺15b, HLMSN⁺15a, HMSNRW16, MSNRR16, HRW18, BEK⁺18a, BEK⁺18b, BEK⁺19]. A set of DSL design guidelines incorporates reuse through this form of composition [KKP⁺09]. [Völ11] examines the composition of context conditions respectively the underlying infrastructure of the symbol table. Modular editor generation is discussed in [KRV07a]. [RRRW15] applies compositionality to Robotics control. [CBCR15] (published in [CCF⁺15]) summarizes our approach to composition and remaining challenges in form of a conceptual model of the “globalized” use of DSLs. As a new form of decomposition of model information we have developed the concept of tagging languages in [GLRR15]. It allows to describe additional information for model elements in separated documents, facilitates reuse, and allows to type tags.

Semantics of Modeling Languages

The meaning of semantics and its principles like underspecification, language precision and detailedness is discussed in [HR04]. We defined a semantic domain called “System Model” by using mathematical theory in [RKB95, BHP⁺98] and [GKR96, KRB96]. An extended version especially suited for the UML is given in [BCGR09b] and in [BCGR09a] its rationale is discussed. [BCR07a, BCR07b] contain detailed

versions that are applied to class diagrams in [CGR08]. To better understand the effect of an evolved design, detection of semantic differencing as opposed to pure syntactical differences is needed [MRR10]. [MRR11a, MRR11b] encode a part of the semantics to handle semantic differences of activity diagrams and [MRR11f, MRR11f] compare class and object diagrams with regard to their semantics. In [BR07], a simplified mathematical model for distributed systems based on black-box behaviors of components is defined. Meta-modeling semantics is discussed in [EFLR99]. [BGH⁺97] discusses potential modeling languages for the description of an exemplary object interaction, today called sequence diagram. [BGH⁺98] discusses the relationships between a system, a view and a complete model in the context of the UML. [GR11] and [CGR09] discuss general requirements for a framework to describe semantic and syntactic variations of a modeling language. We apply these on class and object diagrams in [MRR11f] as well as activity diagrams in [GRR10]. [Rum12] defines the semantics in a variety of code and test case generation, refactoring and evolution techniques. [LRSS10] discusses evolution and related issues in greater detail. [RW18] discusses an elaborated theory for the modeling of underspecification, hierarchical composition, and refinement that can be practically applied for the development of CPS.

Evolution and Transformation of Models

Models are the central artifacts in model driven development, but as code they are not initially correct and need to be changed, evolved and maintained over time. Model transformation is therefore essential to effectively deal with models. Many concrete model transformation problems are discussed: evolution [LRSS10, MMR10, Rum04], refinement [PR99, KPR97, PR94], decomposition [PR99, KRW20], synthesis [MRR14a], refactoring [Rum12, PR03], translating models from one language into another [MRR11c, Rum12], and systematic model transformation language development [Wei12]. [Rum04] describes how comprehensible sets of such transformations support software development and maintenance [LRSS10], technologies for evolving models within a language and across languages, and mapping architecture descriptions to their implementation [MMR10]. Automaton refinement is discussed in [PR94, KPR97], refining pipe-and-filter architectures is explained in [PR99]. Refactorings of models are important for model driven engineering as discussed in [PR01, PR03, Rum12]. Translation between languages, e.g., from class diagrams into Alloy [MRR11c] allows for comparing class diagrams on a semantic level.

Variability and Software Product Lines (SPL)

Products often exist in various variants, for example cars or mobile phones, where one manufacturer develops several products with many similarities but also many variations. Variants are managed in a Software Product Line (SPL) that captures product commonalities as well as differences. Feature diagrams describe variability in a top down fashion, e.g., in the automotive domain [GHK⁺08a] using 150% models. Reducing overhead and associated costs is discussed in [GRJA12]. Delta modeling is a bottom up technique starting with a small, but complete base variant. Features are additive, but also can modify the core. A set of commonly applicable deltas configures a system variant. We discuss the application of this technique to Delta-MontiArc [HRR⁺11, HRR⁺11] and to Delta-Simulink [HKM⁺13]. Deltas can not only describe spacial variability but also temporal variability which allows for using them for software product line evolution [HRRS12]. [HHK⁺13] and [HRW15] describe an approach to systematically derive delta languages. We also apply variability modeling languages in order to describe syntactic and semantic variation points, e.g., in UML for frameworks [PFR02] and generators [GMR⁺16]. Furthermore, we specified a systematic way to define variants of modeling languages [CGR09], leverage features

for compositional reuse [BEK⁺18b], and applied it as a semantic language refinement on Statecharts in [GR11].

Modeling for Cyber-Physical Systems (CPS)

Cyber-Physical Systems (CPS) [KRS12] are complex, distributed systems which control physical entities. In [RW18], we discuss how an elaborated theory can be practically applied for the development of CPS. Contributions for individual aspects range from requirements [GRJA12], complete product lines [HRRW12], the improvement of engineering for distributed automotive systems [HRR12], autonomous driving [BR12a, KKR19], and digital twin development [BDH⁺20] to processes and tools to improve the development as well as the product itself [BBR07]. In the aviation domain, a modeling language for uncertainty and safety events was developed, which is of interest for the European airspace [ZPK⁺11]. A component and connector architecture description language suitable for the specific challenges in robotics is discussed in [RRW13b, RRW14]. In [RRW13a], we describe a code generation framework for this language. Monitoring for smart and energy efficient buildings is developed as Energy Navigator toolset [KPR12, FPPR12, KLPR12].

Model-Driven Systems Engineering (MDSysE)

Applying models during Systems Engineering activities is based on the long tradition on contributing to systems engineering in automotive [GHK⁺08b], which culminated in a new comprehensive model-driven development process for automotive software [KMS⁺18, DGH⁺19]. We leveraged SysML to enable the integrated flow from requirements to implementation to integration. To facilitate modeling of products, resources, and processes in the context of Industry 4.0, we also conceived a multi-level framework for machining based on these concepts [BKL⁺18]. Research within the excellence cluster Internet of Production considers fast decision making at production time with low latencies using contextual data traces of production systems, also known as Digital Shadows (DS) [SHH⁺20]. We have investigated how to derive Digital Twins (DTs) for injection molding [BDH⁺20], how to generate interfaces between a cyber-physical system and its DT [KMR⁺20] and have proposed model-driven architectures for DT cockpit engineering [DMR⁺20].

State Based Modeling (Automata)

Today, many computer science theories are based on statemachines in various forms including Petri nets or temporal logics. Software engineering is particularly interested in using statemachines for modeling systems. Our contributions to state based modeling can currently be split into three parts: (1) understanding how to model object-oriented and distributed software using statemachines resp. Statecharts [GKR96, BCR07b, BCGR09b, BCGR09a], (2) understanding the refinement [PR94, RK96, Rum96, RW18] and composition [GR95, GKR96, RW18] of statemachines, and (3) applying statemachines for modeling systems. In [Rum96, RW18] constructive transformation rules for refining automata behavior are given and proven correct. This theory is applied to features in [KPR97]. Statemachines are embedded in the composition and behavioral specification concepts of Focus [GKR96, BR07]. We apply these techniques, e.g., in MontiArcAutomaton [RRW13a, RRW14, RRW13a, RW18] as well as in building management systems [FLP⁺11b].

Model-Based Assistance and Information Services (MBAIS)

Assistive systems are a special type of information system: they (1) provide situational support for human behaviour (2) based on information from previously stored and real-time monitored structural context and behaviour data (3) at the time the person needs or asks for it [HMR⁺19]. To create them, we follow a model centered architecture approach [MMR⁺17] which defines systems as a compound of various connected models. Used languages for their definition include DSLs for behavior and structure such as the human cognitive modeling language [MM13], goal modeling languages [MRV20] or UML/P based languages [MNRV19]. [MM15] describes a process how languages for assistive systems can be created.

We have designed a system included in a sensor floor able to monitor elderlies and analyze impact patterns for emergency events [LMK⁺11]. We have investigated the modeling of human contexts for the active assisted living and smart home domain [MS17] and user-centered privacy-driven systems in the IoT domain in combination with process mining systems [MKM⁺19], differential privacy on event logs of handling and treatment of patients at a hospital [MKB⁺19], the mark-up of online manuals for devices [SM18] and websites [SM20], and solutions for privacy-aware environments for cloud services [ELR⁺17] and in IoT manufacturing [MNRV19]. The user-centered view on the system design allows to track who does what, when, why, where and how with personal data, makes information about it available via information services and provides support using assistive services.

Modelling Robotics Architectures and Tasks

Robotics can be considered a special field within Cyber-Physical Systems which is defined by an inherent heterogeneity of involved domains, relevant platforms, and challenges. The engineering of robotics applications requires composition and interaction of diverse distributed software modules. This usually leads to complex monolithic software solutions hardly reusable, maintainable, and comprehensible, which hampers broad propagation of robotics applications. The MontiArcAutomaton language [RRW13a] extends the ADL MontiArc and integrates various implemented behavior modeling languages using MontiCore [RRW13b, RRW14, RRRW15, HR17] that perfectly fit robotic architectural modeling. The LightRocks [THR⁺13] framework allows robotics experts and laymen to model robotic assembly tasks. In [AHRW17a, AHRW17b], we define a modular architecture modeling method for translating architecture models into modules compatible to different robotics middleware platforms.

Automotive, Autonomic Driving & Intelligent Driver Assistance

Introducing and connecting sophisticated driver assistance, infotainment and communication systems as well as advanced active and passive safety-systems result in complex embedded systems. As these feature-driven subsystems may be arbitrarily combined by the customer, a huge amount of distinct variants needs to be managed, developed and tested. A consistent requirements management that connects requirements with features in all phases of the development for the automotive domain is described in [GRJA12]. The conceptual gap between requirements and the logical architecture of a car is closed in [GHK⁺07, GHK⁺08a]. [HKM⁺13] describes a tool for delta modeling for Simulink [HKM⁺13]. [HRRW12] discusses means to extract a well-defined Software Product Line from a set of copy and paste variants. [RSW⁺15] describes an approach to use model checking techniques to identify behavioral differences of Simulink models. In [KKR19], we introduce a framework for modeling the dynamic reconfiguration of component and connector architectures and apply it to the domain of cooperating vehicles. Quality assurance, especially of safety-related functions, is a highly important task. In the Carolo

project [BR12a, BR12b], we developed a rigorous test infrastructure for intelligent, sensor-based functions through fully-automatic simulation [BBR07]. This technique allows a dramatic speedup in development and evolution of autonomous car functionality, and thus enables us to develop software in an agile way [BR12a]. [MMR10] gives an overview of the current state-of-the-art in development and evolution on a more general level by considering any kind of critical system that relies on architectural descriptions. As tooling infrastructure, the SSElab storage, versioning and management services [HKR12] are essential for many projects.

Smart Energy Management

In the past years, it became more and more evident that saving energy and reducing CO₂ emissions is an important challenge. Thus, energy management in buildings as well as in neighbourhoods becomes equally important to efficiently use the generated energy. Within several research projects, we developed methodologies and solutions for integrating heterogeneous systems at different scales. During the design phase, the Energy Navigators Active Functional Specification (AFS) [FPPR12, KPR12] is used for technical specification of building services already. We adapted the well-known concept of statemachines to be able to describe different states of a facility and to validate it against the monitored values [FLP⁺11b]. We show how our data model, the constraint rules, and the evaluation approach to compare sensor data can be applied [KLPR12].

Cloud Computing & Enterprise Information Systems

The paradigm of Cloud Computing is arising out of a convergence of existing technologies for web-based application and service architectures with high complexity, criticality, and new application domains. It promises to enable new business models, to lower the barrier for web-based innovations and to increase the efficiency and cost-effectiveness of web development [KRR14]. Application classes like Cyber-Physical Systems and their privacy [HHK⁺14, HHK⁺15b], Big Data, App, and Service Ecosystems bring attention to aspects like responsiveness, privacy and open platforms. Regardless of the application domain, developers of such systems are in need for robust methods and efficient, easy-to-use languages and tools [KRS12]. We tackle these challenges by perusing a model-based, generative approach [NPR13]. The core of this approach are different modeling languages that describe different aspects of a cloud-based system in a concise and technology-agnostic way. Software architecture and infrastructure models describe the system and its physical distribution on a large scale. We apply cloud technology for the services we develop, e.g., the SSElab [HKR12] and the Energy Navigator [FPPR12, KPR12] but also for our tool demonstrators and our own development platforms. New services, e.g., collecting data from temperature, cars etc. can now easily be developed.

Model-Driven Engineering of Information Systems

Information Systems provide information to different user groups as main system goal. Using our experiences in the model-based generation of code with MontiCore [KRV10, HR17], we developed several generators for such data-centric information systems. *MontiGem* [AMN⁺20] is a specific generator framework for data-centric business applications that uses standard models from UML/P optionally extended by GUI description models as sources [GMN⁺20]. While the standard semantics of these modeling languages remains untouched, the generator produces a lot of additional functionality around these models. The generator is designed flexible, modular and incremental, handwritten and generated code pieces are

well integrated [GHK⁺15b], tagging of existing models is possible [GLRR15], e.g., for the definition of roles and rights or for testing [DGH⁺18].

References

- [AHRW17a] Kai Adam, Katrin Hölldobler, Bernhard Rumpe, and Andreas Wortmann. Engineering Robotics Software Architectures with Exchangeable Model Transformations. In *International Conference on Robotic Computing (IRC'17)*, pages 172–179. IEEE, April 2017.
- [AHRW17b] Kai Adam, Katrin Hölldobler, Bernhard Rumpe, and Andreas Wortmann. Modeling Robotics Software Architectures with Modular Model Transformations. *Journal of Software Engineering for Robotics (JOSER)*, 8(1):3–16, 2017.
- [AMN⁺20] Kai Adam, Judith Michael, Lukas Netz, Bernhard Rumpe, and Simon Varga. Enterprise Information Systems in Academia and Practice: Lessons learned from a MBSE Project. In *40 Years EMISA: Digital Ecosystems of the Future: Methodology, Techniques and Applications (EMISA'19)*, LNI P-304, pages 59–66. Gesellschaft für Informatik e.V., May 2020.
- [BBR07] Christian Basarke, Christian Berger, and Bernhard Rumpe. Software & Systems Engineering Process and Tools for the Development of Autonomous Driving Intelligence. *Journal of Aerospace Computing, Information, and Communication (JACIC)*, 4(12):1158–1174, 2007.
- [BCGR09a] Manfred Broy, María Victoria Cengarle, Hans Grönniger, and Bernhard Rumpe. Considerations and Rationale for a UML System Model. In K. Lano, editor, *UML 2 Semantics and Applications*, pages 43–61. John Wiley & Sons, November 2009.
- [BCGR09b] Manfred Broy, María Victoria Cengarle, Hans Grönniger, and Bernhard Rumpe. Definition of the UML System Model. In K. Lano, editor, *UML 2 Semantics and Applications*, pages 63–93. John Wiley & Sons, November 2009.
- [BCR07a] Manfred Broy, María Victoria Cengarle, and Bernhard Rumpe. Towards a System Model for UML. Part 2: The Control Model. Technical Report TUM-I0710, TU Munich, Germany, February 2007.
- [BCR07b] Manfred Broy, María Victoria Cengarle, and Bernhard Rumpe. Towards a System Model for UML. Part 3: The State Machine Model. Technical Report TUM-I0711, TU Munich, Germany, February 2007.
- [BDH⁺20] Pascal Bibow, Manuela Dalibor, Christian Hopmann, Ben Mainz, Bernhard Rumpe, David Schmalzing, Mauritius Schmitz, and Andreas Wortmann. Model-Driven Development of a Digital Twin for Injection Molding. In Schahram Dustdar, Eric Yu, Camille Salinesi, Dominique Rieu, and Vik Pant, editors, *International Conference on Advanced Information Systems Engineering (CAiSE'20)*, Lecture Notes in Computer Science 12127, pages 85–100. Springer International Publishing, June 2020.
- [BDL⁺18] Arvid Butting, Manuela Dalibor, Gerrit Leonhardt, Bernhard Rumpe, and Andreas Wortmann. Deriving Fluent Internal Domain-specific Languages from Grammars. In *International Conference on Software Language Engineering (SLE'18)*, pages 187–199. ACM, 2018.

- [BEK⁺18a] Arvid Butting, Robert Eikermann, Oliver Kautz, Bernhard Rumpe, and Andreas Wortmann. Controlled and Extensible Variability of Concrete and Abstract Syntax with Independent Language Features. In *Proceedings of the 12th International Workshop on Variability Modelling of Software-Intensive Systems (VAMOS'18)*, pages 75–82. ACM, January 2018.
- [BEK⁺18b] Arvid Butting, Robert Eikermann, Oliver Kautz, Bernhard Rumpe, and Andreas Wortmann. Modeling Language Variability with Reusable Language Components. In *International Conference on Systems and Software Product Line (SPLC'18)*. ACM, September 2018.
- [BEK⁺19] Arvid Butting, Robert Eikermann, Oliver Kautz, Bernhard Rumpe, and Andreas Wortmann. Systematic Composition of Independent Language Features. *Journal of Systems and Software*, 152:50–69, June 2019.
- [BGH⁺97] Ruth Breu, Radu Grosu, Christoph Hofmann, Franz Huber, Ingolf Krüger, Bernhard Rumpe, Monika Schmidt, and Wolfgang Schwerin. Exemplary and Complete Object Interaction Descriptions. In *Object-oriented Behavioral Semantics Workshop (OOP-SLA'97)*, Technical Report TUM-I9737, Germany, 1997. TU Munich.
- [BGH⁺98] Ruth Breu, Radu Grosu, Franz Huber, Bernhard Rumpe, and Wolfgang Schwerin. Systems, Views and Models of UML. In *Proceedings of the Unified Modeling Language, Technical Aspects and Applications*, pages 93–109. Physica Verlag, Heidelberg, Germany, 1998.
- [BGRW17] Arvid Butting, Timo Greifenberg, Bernhard Rumpe, and Andreas Wortmann. Taming the Complexity of Model-Driven Systems Engineering Projects. Part of the Grand Challenges in Modeling (GRAND'17) Workshop, July 2017.
- [BGRW18] Arvid Butting, Timo Greifenberg, Bernhard Rumpe, and Andreas Wortmann. On the Need for Artifact Models in Model-Driven Systems Engineering Projects. In Martina Seidl and Steffen Zschaler, editors, *Software Technologies: Applications and Foundations*, LNCS 10748, pages 146–153. Springer, January 2018.
- [BHK⁺17] Arvid Butting, Robert Heim, Oliver Kautz, Jan Oliver Ringert, Bernhard Rumpe, and Andreas Wortmann. A Classification of Dynamic Reconfiguration in Component and Connector Architecture Description Languages. In *Proceedings of MODELS 2017. Workshop ModComp*, CEUR 2019, September 2017.
- [BHP⁺98] Manfred Broy, Franz Huber, Barbara Paech, Bernhard Rumpe, and Katharina Spies. Software and System Modeling Based on a Unified Formal Semantics. In *Workshop on Requirements Targeting Software and Systems Engineering (RTSE'97)*, LNCS 1526, pages 43–68. Springer, 1998.
- [BJRW18] Arvid Butting, Nico Jansen, Bernhard Rumpe, and Andreas Wortmann. Translating Grammars to Accurate Metamodels. In *International Conference on Software Language Engineering (SLE'18)*, pages 174–186. ACM, 2018.
- [BKL⁺18] Christian Brecher, Evgeny Kusmenko, Achim Lindt, Bernhard Rumpe, Simon Storms, Stephan Wein, Michael von Wenckstern, and Andreas Wortmann. Multi-Level Modeling Framework for Machine as a Service Applications Based on Product Process Resource

- Models. In *Proceedings of the 2nd International Symposium on Computer Science and Intelligent Control (ISCSIC'18)*. ACM, September 2018.
- [BKRW17] Arvid Butting, Oliver Kautz, Bernhard Rumpe, and Andreas Wortmann. Semantic Differencing for Message-Driven Component & Connector Architectures. In *International Conference on Software Architecture (ICSA'17)*, pages 145–154. IEEE, April 2017.
- [BKRW19] Arvid Butting, Oliver Kautz, Bernhard Rumpe, and Andreas Wortmann. Continuously Analyzing Finite, Message-Driven, Time-Synchronous Component & Connector Systems During Architecture Evolution. *Journal of Systems and Software*, 149:437–461, March 2019.
- [BR07] Manfred Broy and Bernhard Rumpe. Modulare hierarchische Modellierung als Grundlage der Software- und Systementwicklung. *Informatik-Spektrum*, 30(1):3–18, Februar 2007.
- [BR12a] Christian Berger and Bernhard Rumpe. Autonomous Driving - 5 Years after the Urban Challenge: The Anticipatory Vehicle as a Cyber-Physical System. In *Automotive Software Engineering Workshop (ASE'12)*, pages 789–798, 2012.
- [BR12b] Christian Berger and Bernhard Rumpe. Engineering Autonomous Driving Software. In C. Rouff and M. Hinchey, editors, *Experience from the DARPA Urban Challenge*, pages 243–271. Springer, Germany, 2012.
- [CBCR15] Tony Clark, Mark van den Brand, Benoit Combemale, and Bernhard Rumpe. Conceptual Model of the Globalization for Domain-Specific Languages. In *Globalizing Domain-Specific Languages*, LNCS 9400, pages 7–20. Springer, 2015.
- [CCF⁺15] Betty H. C. Cheng, Benoit Combemale, Robert B. France, Jean-Marc Jézéquel, and Bernhard Rumpe, editors. *Globalizing Domain-Specific Languages*, LNCS 9400. Springer, 2015.
- [CEG⁺14] Betty Cheng, Kerstin Eder, Martin Gogolla, Lars Grunske, Marin Litoiu, Hausi Müller, Patrizio Pelliccione, Anna Perini, Nauman Qureshi, Bernhard Rumpe, Daniel Schneider, Frank Trollmann, and Norha Villegas. Using Models at Runtime to Address Assurance for Self-Adaptive Systems. In *Models@run.time*, LNCS 8378, pages 101–136. Springer, Germany, 2014.
- [CGR08] María Victoria Cengarle, Hans Grönniger, and Bernhard Rumpe. System Model Semantics of Class Diagrams. Informatik-Bericht 2008-05, TU Braunschweig, Germany, 2008.
- [CGR09] María Victoria Cengarle, Hans Grönniger, and Bernhard Rumpe. Variability within Modeling Language Definitions. In *Conference on Model Driven Engineering Languages and Systems (MODELS'09)*, LNCS 5795, pages 670–684. Springer, 2009.
- [CKM⁺18] Benoit Combemale, Jörg Kienzle, Gunter Mussbacher, Olivier Barais, Erwan Bousse, Walter Cazzola, Philippe Collet, Thomas Degueule, Robert Heinrich, Jean-Marc Jézéquel, Manuel Leduc, Tanja Mayerhofer, Sébastien Mosser, Matthias Schöttle, Misha Strittmatter, and Andreas Wortmann. Concern-Oriented Language Development (COLD): Fostering Reuse in Language Engineering. *Computer Languages, Systems & Structures*, 54:139 – 155, 2018.

- [DEKR19] Imke Drave, Robert Eikermann, Oliver Kautz, and Bernhard Rumpe. Semantic Differencing of Statecharts for Object-oriented Systems. In Slimane Hammoudi, Luis Ferreira Pires, and Bran Selić, editors, *Proceedings of the 7th International Conference on Model-Driven Engineering and Software Development (MODELSWARD'19)*, pages 274–282. SciTePress, February 2019.
- [DGH⁺18] Imke Drave, Timo Greifenberg, Steffen Hillemacher, Stefan Kriebel, Matthias Markthaler, Bernhard Rumpe, and Andreas Wortmann. Model-Based Testing of Software-Based System Functions. In *Conference on Software Engineering and Advanced Applications (SEAA'18)*, pages 146–153, August 2018.
- [DGH⁺19] Imke Drave, Timo Greifenberg, Steffen Hillemacher, Stefan Kriebel, Evgeny Kusmenko, Matthias Markthaler, Philipp Orth, Karin Samira Salman, Johannes Richenhagen, Bernhard Rumpe, Christoph Schulze, Michael Wenckstern, and Andreas Wortmann. SMArDT modeling for automotive software testing. *Software: Practice and Experience*, 49(2):301–328, February 2019.
- [DHH⁺20] Imke Drave, Timo Henrich, Katrin Hölldobler, Oliver Kautz, Judith Michael, and Bernhard Rumpe. Modellierung, Verifikation und Synthese von validen Planungszuständen für Fernsehstrahlungen. In Dominik Bork, Dimitris Karagiannis, and Heinrich C. Mayr, editors, *Modellierung 2020*, pages 173–188. Gesellschaft für Informatik e.V., February 2020.
- [DKMR19] Imke Drave, Oliver Kautz, Judith Michael, and Bernhard Rumpe. Semantic Evolution Analysis of Feature Models. In Thorsten Berger, Philippe Collet, Laurence Duchien, Thomas Fogdal, Patrick Heymans, Timo Kehrer, Jabier Martinez, Raúl Mazo, Leticia Montalvillo, Camille Salinesi, Xhevahire Tërnavá, Thomas Thüm, and Tewfik Ziadi, editors, *International Systems and Software Product Line Conference (SPLC'19)*, pages 245–255. ACM, September 2019.
- [DMR⁺20] Manuela Dalibor, Judith Michael, Bernhard Rumpe, Simon Varga, and Andreas Wortmann. Towards a Model-Driven Architecture for Interactive Digital Twin Cockpits. In Gillian Dobbie, Ulrich Frank, Gerti Kappel, Stephen W. Liddle, and Heinrich C. Mayr, editors, *Conceptual Modeling*, pages 377–387. Springer International Publishing, October 2020.
- [EFLR99] Andy Evans, Robert France, Kevin Lano, and Bernhard Rumpe. Meta-Modelling Semantics of UML. In H. Kilov, B. Rumpe, and I. Simmonds, editors, *Behavioral Specifications of Businesses and Systems*, pages 45–60. Kluwer Academic Publisher, 1999.
- [EJK⁺19] Rolf Ebert, Jahir Jolianis, Stefan Kriebel, Matthias Markthaler, Benjamin Pruenster, Bernhard Rumpe, and Karin Samira Salman. Applying Product Line Testing for the Electric Drive System. In Thorsten Berger, Philippe Collet, Laurence Duchien, Thomas Fogdal, Patrick Heymans, Timo Kehrer, Jabier Martinez, Raúl Mazo, Leticia Montalvillo, Camille Salinesi, Xhevahire Tërnavá, Thomas Thüm, and Tewfik Ziadi, editors, *International Systems and Software Product Line Conference (SPLC'19)*, pages 14–24. ACM, September 2019.
- [ELR⁺17] Robert Eikermann, Markus Look, Alexander Roth, Bernhard Rumpe, and Andreas Wortmann. Architecting Cloud Services for the Digital me in a Privacy-Aware Environment. In Ivan Mistrik, Rami Bahsoon, Nour Ali, Maritta Heisel, and Bruce Maxim,

- editors, *Software Architecture for Big Data and the Cloud*, chapter 12, pages 207–226. Elsevier Science & Technology, June 2017.
- [FELR98] Robert France, Andy Evans, Kevin Lano, and Bernhard Rumpe. The UML as a formal modeling notation. *Computer Standards & Interfaces*, 19(7):325–334, November 1998.
- [FHR08] Florian Fieber, Michaela Huhn, and Bernhard Rumpe. Modellqualität als Indikator für Softwarequalität: eine Taxonomie. *Informatik-Spektrum*, 31(5):408–424, Oktober 2008.
- [FLP⁺11a] M. Norbert Fisch, Markus Look, Claas Pinkernell, Stefan Plesser, and Bernhard Rumpe. Der Energie-Navigator - Performance-Controlling für Gebäude und Anlagen. *Technik am Bau (TAB) - Fachzeitschrift für Technische Gebäudeausrüstung*, Seiten 36-41, März 2011.
- [FLP⁺11b] M. Norbert Fisch, Markus Look, Claas Pinkernell, Stefan Plesser, and Bernhard Rumpe. State-based Modeling of Buildings and Facilities. In *Enhanced Building Operations Conference (ICEBO'11)*, 2011.
- [FPPR12] M. Norbert Fisch, Claas Pinkernell, Stefan Plesser, and Bernhard Rumpe. The Energy Navigator - A Web-Platform for Performance Design and Management. In *Energy Efficiency in Commercial Buildings Conference (IEECB'12)*, 2012.
- [GHK⁺07] Hans Grönniger, Jochen Hartmann, Holger Krahn, Stefan Kriebel, and Bernhard Rumpe. View-based Modeling of Function Nets. In *Object-oriented Modelling of Embedded Real-Time Systems Workshop (OMER4'07)*, 2007.
- [GHK⁺08a] Hans Grönniger, Jochen Hartmann, Holger Krahn, Stefan Kriebel, Lutz Rothhardt, and Bernhard Rumpe. Modelling Automotive Function Nets with Views for Features, Variants, and Modes. In *Proceedings of 4th European Congress ERTS - Embedded Real Time Software*, 2008.
- [GHK⁺08b] Hans Grönniger, Jochen Hartmann, Holger Krahn, Stefan Kriebel, Lutz Rothhardt, and Bernhard Rumpe. View-Centric Modeling of Automotive Logical Architectures. In *Tagungsband des Dagstuhl-Workshop MBEEs: Modellbasierte Entwicklung eingebetteter Systeme IV*, Informatik Bericht 2008-02. TU Braunschweig, 2008.
- [GHK⁺15a] Timo Greifenberg, Katrin Hölldobler, Carsten Kolassa, Markus Look, Pedram Mir Seyed Nazari, Klaus Müller, Antonio Navarro Perez, Dimitri Plotnikov, Dirk Reiß, Alexander Roth, Bernhard Rumpe, Martin Schindler, and Andreas Wortmann. A Comparison of Mechanisms for Integrating Handwritten and Generated Code for Object-Oriented Programming Languages. In *Model-Driven Engineering and Software Development Conference (MODELSWARD'15)*, pages 74–85. SciTePress, 2015.
- [GHK⁺15b] Timo Greifenberg, Katrin Hölldobler, Carsten Kolassa, Markus Look, Pedram Mir Seyed Nazari, Klaus Müller, Antonio Navarro Perez, Dimitri Plotnikov, Dirk Reiß, Alexander Roth, Bernhard Rumpe, Martin Schindler, and Andreas Wortmann. Integration of Handwritten and Generated Object-Oriented Code. In *Model-Driven Engineering and Software Development*, Communications in Computer and Information Science 580, pages 112–132. Springer, 2015.
- [GHR17] Timo Greifenberg, Steffen Hillemacher, and Bernhard Rumpe. *Towards a Sustainable Artifact Model: Artifacts in Generator-Based Model-Driven Projects*. Aachener Informatik-Berichte, Software Engineering, Band 30. Shaker Verlag, December 2017.

- [GKPR08] Hans Grönniger, Holger Krahn, Claas Pinkernell, and Bernhard Rumpe. Modeling Variants of Automotive Systems using Views. In *Modellbasierte Entwicklung von eingebetteten Fahrzeugfunktionen*, Informatik Bericht 2008-01, pages 76–89. TU Braunschweig, 2008.
- [GKR96] Radu Grosu, Cornel Klein, and Bernhard Rumpe. Enhancing the SysLab System Model with State. Technical Report TUM-I9631, TU Munich, Germany, July 1996.
- [GKR⁺06] Hans Grönniger, Holger Krahn, Bernhard Rumpe, Martin Schindler, and Steven Völkel. MontiCore 1.0 - Ein Framework zur Erstellung und Verarbeitung domänenspezifischer Sprachen. Informatik-Bericht 2006-04, CFG-Fakultät, TU Braunschweig, August 2006.
- [GKR⁺07] Hans Grönniger, Holger Krahn, Bernhard Rumpe, Martin Schindler, and Steven Völkel. Textbased Modeling. In *4th International Workshop on Software Language Engineering, Nashville*, Informatik-Bericht 4/2007. Johannes-Gutenberg-Universität Mainz, 2007.
- [GKR⁺08] Hans Grönniger, Holger Krahn, Bernhard Rumpe, Martin Schindler, and Steven Völkel. MontiCore: A Framework for the Development of Textual Domain Specific Languages. In *30th International Conference on Software Engineering (ICSE 2008), Leipzig, Germany, May 10-18, 2008, Companion Volume*, pages 925–926, 2008.
- [GKRS06] Hans Grönniger, Holger Krahn, Bernhard Rumpe, and Martin Schindler. Integration von Modellen in einen codebasierten Softwareentwicklungsprozess. In *Modellierung 2006 Conference*, LNI 82, Seiten 67-81, 2006.
- [GLPR15] Timo Greifenberg, Markus Look, Claas Pinkernell, and Bernhard Rumpe. Energieeffiziente Städte - Herausforderungen und Lösungen aus Sicht des Software Engineerings. In Linnhoff-Popien, Claudia and Zaddach, Michael and Grahl, Andreas, Editor, *Marktplätze im Umbruch: Digitale Strategien für Services im Mobilen Internet*, Xpert.press, Kapitel 56, Seiten 511-520. Springer Berlin Heidelberg, April 2015.
- [GLRR15] Timo Greifenberg, Markus Look, Sebastian Roidl, and Bernhard Rumpe. Engineering Tagging Languages for DSLs. In *Conference on Model Driven Engineering Languages and Systems (MODELS'15)*, pages 34–43. ACM/IEEE, 2015.
- [GMN⁺20] Arkadii Gerasimov, Judith Michael, Lukas Netz, Bernhard Rumpe, and Simon Varga. Continuous Transition from Model-Driven Prototype to Full-Size Real-World Enterprise Information Systems. In Bonnie Anderson, Jason Thatcher, and Rayman Meservy, editors, *25th Americas Conference on Information Systems (AMCIS 2020)*, AIS Electronic Library (AISeL), pages 1–10. Association for Information Systems (AIS), August 2020.
- [GMR⁺16] Timo Greifenberg, Klaus Müller, Alexander Roth, Bernhard Rumpe, Christoph Schulze, and Andreas Wortmann. Modeling Variability in Template-based Code Generators for Product Line Engineering. In *Modellierung 2016 Conference*, LNI 254, pages 141–156. Bonner Köllen Verlag, March 2016.
- [GR95] Radu Grosu and Bernhard Rumpe. Concurrent Timed Port Automata. Technical Report TUM-I9533, TU Munich, Germany, October 1995.
- [GR11] Hans Grönniger and Bernhard Rumpe. Modeling Language Variability. In *Workshop on Modeling, Development and Verification of Adaptive Systems*, LNCS 6662, pages 17–32. Springer, 2011.

- [GRJA12] Tim Gülke, Bernhard Rumpe, Martin Jansen, and Joachim Axmann. High-Level Requirements Management and Complexity Costs in Automotive Development Projects: A Problem Statement. In *Requirements Engineering: Foundation for Software Quality (REFSQ'12)*, 2012.
- [GRR10] Hans Grönniger, Dirk Reiß, and Bernhard Rumpe. Towards a Semantics of Activity Diagrams with Semantic Variation Points. In *Conference on Model Driven Engineering Languages and Systems (MODELS'10)*, LNCS 6394, pages 331–345. Springer, 2010.
- [HHK⁺13] Arne Haber, Katrin Hölldobler, Carsten Kolassa, Markus Look, Klaus Müller, Bernhard Rumpe, and Ina Schaefer. Engineering Delta Modeling Languages. In *Software Product Line Conference (SPLC'13)*, pages 22–31. ACM, 2013.
- [HHK⁺14] Martin Henze, Lars Hermerschmidt, Daniel Kerpen, Roger Häußling, Bernhard Rumpe, and Klaus Wehrle. User-driven Privacy Enforcement for Cloud-based Services in the Internet of Things. In *Conference on Future Internet of Things and Cloud (FiCloud'14)*. IEEE, 2014.
- [HHK⁺15a] Arne Haber, Katrin Hölldobler, Carsten Kolassa, Markus Look, Klaus Müller, Bernhard Rumpe, Ina Schaefer, and Christoph Schulze. Systematic Synthesis of Delta Modeling Languages. *Journal on Software Tools for Technology Transfer (STTT)*, 17(5):601–626, October 2015.
- [HHK⁺15b] Martin Henze, Lars Hermerschmidt, Daniel Kerpen, Roger Häußling, Bernhard Rumpe, and Klaus Wehrle. A comprehensive approach to privacy in the cloud-based Internet of Things. *Future Generation Computer Systems*, 56:701–718, 2015.
- [HKM⁺13] Arne Haber, Carsten Kolassa, Peter Manhart, Pedram Mir Seyed Nazari, Bernhard Rumpe, and Ina Schaefer. First-Class Variability Modeling in Matlab/Simulink. In *Variability Modelling of Software-intensive Systems Workshop (VaMoS'13)*, pages 11–18. ACM, 2013.
- [HKR⁺07] Christoph Herrmann, Holger Krahn, Bernhard Rumpe, Martin Schindler, and Steven Völkel. An Algebraic View on the Semantics of Model Composition. In *Conference on Model Driven Architecture - Foundations and Applications (ECMDA-FA'07)*, LNCS 4530, pages 99–113. Springer, Germany, 2007.
- [HKR⁺09] Christoph Herrmann, Holger Krahn, Bernhard Rumpe, Martin Schindler, and Steven Völkel. Scaling-Up Model-Based-Development for Large Heterogeneous Systems with Compositional Modeling. In *Conference on Software Engineering in Research and Practice (SERP'09)*, pages 172–176, July 2009.
- [HKR⁺11] Arne Haber, Thomas Kutz, Holger Rendel, Bernhard Rumpe, and Ina Schaefer. Delta-oriented Architectural Variability Using MontiCore. In *Software Architecture Conference (ECSA'11)*, pages 6:1–6:10. ACM, 2011.
- [HKR12] Christoph Herrmann, Thomas Kurpick, and Bernhard Rumpe. SSELab: A Plug-In-Based Framework for Web-Based Project Portals. In *Developing Tools as Plug-Ins Workshop (TOPI'12)*, pages 61–66. IEEE, 2012.

- [HLMSN⁺15a] Arne Haber, Markus Look, Pedram Mir Seyed Nazari, Antonio Navarro Perez, Bernhard Rumpe, Steven Völkel, and Andreas Wortmann. Composition of Heterogeneous Modeling Languages. In *Model-Driven Engineering and Software Development*, Communications in Computer and Information Science 580, pages 45–66. Springer, 2015.
- [HLMSN⁺15b] Arne Haber, Markus Look, Pedram Mir Seyed Nazari, Antonio Navarro Perez, Bernhard Rumpe, Steven Völkel, and Andreas Wortmann. Integration of Heterogeneous Modeling Languages via Extensible and Composable Language Components. In *Model-Driven Engineering and Software Development Conference (MODELSWARD'15)*, pages 19–31. SciTePress, 2015.
- [HMR⁺19] Katrin Hölldobler, Judith Michael, Jan Oliver Ringert, Bernhard Rumpe, and Andreas Wortmann. Innovations in Model-based Software and Systems Engineering. *The Journal of Object Technology*, 18(1):1–60, July 2019.
- [HMSNRW16] Robert Heim, Pedram Mir Seyed Nazari, Bernhard Rumpe, and Andreas Wortmann. Compositional Language Engineering using Generated, Extensible, Static Type Safe Visitors. In *Conference on Modelling Foundations and Applications (ECMFA)*, LNCS 9764, pages 67–82. Springer, July 2016.
- [HR04] David Harel and Bernhard Rumpe. Meaningful Modeling: What's the Semantics of "Semantics"? *IEEE Computer*, 37(10):64–72, October 2004.
- [HR17] Katrin Hölldobler and Bernhard Rumpe. *MontiCore 5 Language Workbench Edition 2017*. Aachener Informatik-Berichte, Software Engineering, Band 32. Shaker Verlag, December 2017.
- [HRR98] Franz Huber, Andreas Rausch, and Bernhard Rumpe. Modeling Dynamic Component Interfaces. In *Technology of Object-Oriented Languages and Systems (TOOLS 26)*, pages 58–70. IEEE, 1998.
- [HRR⁺11] Arne Haber, Holger Rendel, Bernhard Rumpe, Ina Schaefer, and Frank van der Linden. Hierarchical Variability Modeling for Software Architectures. In *Software Product Lines Conference (SPLC'11)*, pages 150–159. IEEE, 2011.
- [HRR12] Arne Haber, Jan Oliver Ringert, and Bernhard Rumpe. MontiArc - Architectural Modeling of Interactive Distributed and Cyber-Physical Systems. Technical Report AIB-2012-03, RWTH Aachen University, February 2012.
- [HRRS11] Arne Haber, Holger Rendel, Bernhard Rumpe, and Ina Schaefer. Delta Modeling for Software Architectures. In *Tagungsband des Dagstuhl-Workshop MBEEs: Modellbasierte Entwicklung eingebetteter Systeme VII*, pages 1 – 10. fortiss GmbH, 2011.
- [HRRS12] Arne Haber, Holger Rendel, Bernhard Rumpe, and Ina Schaefer. Evolving Delta-oriented Software Product Line Architectures. In *Large-Scale Complex IT Systems. Development, Operation and Management, 17th Monterey Workshop 2012*, LNCS 7539, pages 183–208. Springer, 2012.
- [HRRW12] Christian Hopp, Holger Rendel, Bernhard Rumpe, and Fabian Wolf. Einführung eines Produktlinienansatzes in die automotiv Softwareentwicklung am Beispiel von Steuergerätesoftware. In *Software Engineering Conference (SE'12)*, LNI 198, Seiten 181-192, 2012.

- [HRW15] Katrin Hölldobler, Bernhard Rumpe, and Ingo Weisemöller. Systematically Deriving Domain-Specific Transformation Languages. In *Conference on Model Driven Engineering Languages and Systems (MODELS'15)*, pages 136–145. ACM/IEEE, 2015.
- [HRW18] Katrin Hölldobler, Bernhard Rumpe, and Andreas Wortmann. Software Language Engineering in the Large: Towards Composing and Deriving Languages. *Computer Languages, Systems & Structures*, 54:386–405, 2018.
- [JWCR18] Rodi Jolak, Andreas Wortmann, Michel Chaudron, and Bernhard Rumpe. Does Distance Still Matter? Revisiting Collaborative Distributed Software Design. *IEEE Software*, 35(6):40–47, 2018.
- [KER99] Stuart Kent, Andy Evans, and Bernhard Rumpe. UML Semantics FAQ. In A. Moreira and S. Demeyer, editors, *Object-Oriented Technology, ECOOP'99 Workshop Reader*, LNCS 1743, Berlin, 1999. Springer Verlag.
- [KKP⁺09] Gabor Karsai, Holger Krahn, Claas Pinkernell, Bernhard Rumpe, Martin Schindler, and Steven Völkel. Design Guidelines for Domain Specific Languages. In *Domain-Specific Modeling Workshop (DSM'09)*, Techreport B-108, pages 7–13. Helsinki School of Economics, October 2009.
- [KKR19] Nils Kaminski, Evgeny Kusmenko, and Bernhard Rumpe. Modeling Dynamic Architectures of Self-Adaptive Cooperative Systems. *The Journal of Object Technology*, 18(2):1–20, July 2019. The 15th European Conference on Modelling Foundations and Applications.
- [KLPR12] Thomas Kurpick, Markus Look, Claas Pinkernell, and Bernhard Rumpe. Modeling Cyber-Physical Systems: Model-Driven Specification of Energy Efficient Buildings. In *Modelling of the Physical World Workshop (MOTPW'12)*, pages 2:1–2:6. ACM, October 2012.
- [KMR⁺20] Jörg Christian Kirchof, Judith Michael, Bernhard Rumpe, Simon Varga, and Andreas Wortmann. Model-driven Digital Twin Construction: Synthesizing the Integration of Cyber-Physical Systems with Their Information Systems. In *Proceedings of the 23rd ACM/IEEE International Conference on Model Driven Engineering Languages and Systems*, pages 90–101. ACM, October 2020.
- [KMS⁺18] Stefan Kriebel, Matthias Markthaler, Karin Samira Salman, Timo Greifenberg, Steffen Hillemecher, Bernhard Rumpe, Christoph Schulze, Andreas Wortmann, Philipp Orth, and Johannes Richenhagen. Improving Model-based Testing in Automotive Software Engineering. In *International Conference on Software Engineering: Software Engineering in Practice (ICSE'18)*, pages 172–180. ACM, June 2018.
- [KNP⁺19] Evgeny Kusmenko, Sebastian Nickels, Svetlana Pavlitskaya, Bernhard Rumpe, and Thomas Timmermanns. Modeling and Training of Neural Processing Systems. In Marouane Kessentini, Tao Yue, Alexander Pretschner, Sebastian Voss, and Loli Burgueño, editors, *Conference on Model Driven Engineering Languages and Systems (MODELS'19)*, pages 283–293. IEEE, September 2019.
- [KPR97] Cornel Klein, Christian Prehofer, and Bernhard Rumpe. Feature Specification and Refinement with State Transition Diagrams. In *Workshop on Feature Interactions in*

- Telecommunications Networks and Distributed Systems*, pages 284–297. IOS-Press, 1997.
- [KPR12] Thomas Kurpick, Claas Pinkernell, and Bernhard Rumpe. Der Energie Navigator. In H. Lichter and B. Rumpe, Editoren, *Entwicklung und Evolution von Forschungssoftware. Tagungsband, Rolduc, 10.-11.11.2011*, Aachener Informatik-Berichte, Software Engineering, Band 14. Shaker Verlag, Aachen, Deutschland, 2012.
- [KPRS19] Evgeny Kusmenko, Svetlana Pavlitskaya, Bernhard Rumpe, and Sebastian Stüber. On the Engineering of AI-Powered Systems. In Lisa O’Conner, editor, *ASE19. Software Engineering Intelligence Workshop (SEI19)*, pages 126–133. IEEE, November 2019.
- [KR18] Oliver Kautz and Bernhard Rumpe. On Computing Instructions to Repair Failed Model Refinements. In *Conference on Model Driven Engineering Languages and Systems (MODELS’18)*, pages 289–299. ACM, October 2018.
- [Kra10] Holger Krahn. *MontiCore: Agile Entwicklung von domänenspezifischen Sprachen im Software-Engineering*. Aachener Informatik-Berichte, Software Engineering, Band 1. Shaker Verlag, März 2010.
- [KRB96] Cornel Klein, Bernhard Rumpe, and Manfred Broy. A stream-based mathematical model for distributed information processing systems - SysLab system model. In *Workshop on Formal Methods for Open Object-based Distributed Systems*, IFIP Advances in Information and Communication Technology, pages 323–338. Chapman & Hall, 1996.
- [KRR14] Helmut Krcmar, Ralf Reussner, and Bernhard Rumpe. *Trusted Cloud Computing*. Springer, Schweiz, December 2014.
- [KRRS19] Stefan Kriebel, Deni Raco, Bernhard Rumpe, and Sebastian Stüber. Model-Based Engineering for Avionics: Will Specification and Formal Verification e.g. Based on Broy’s Streams Become Feasible? In Stephan Krusche, Kurt Schneider, Marco Kuhrmann, Robert Heinrich, Reiner Jung, Marco Konersmann, Eric Schmieders, Steffen Helke, Ina Schaefer, Andreas Vogelsang, Björn Annighöfer, Andreas Schweiger, Marina Reich, and André van Hoorn, editors, *Proceedings of the Workshops of the Software Engineering Conference. Workshop on Avionics Systems and Software Engineering (AvioSE’19)*, CEUR Workshop Proceedings 2308, pages 87–94. CEUR Workshop Proceedings, February 2019.
- [KRRvW17] Evgeny Kusmenko, Alexander Roth, Bernhard Rumpe, and Michael von Wenckstern. Modeling Architectures of Cyber-Physical Systems. In *European Conference on Modelling Foundations and Applications (ECMFA’17)*, LNCS 10376, pages 34–50. Springer, July 2017.
- [KRS12] Stefan Kowalewski, Bernhard Rumpe, and Andre Stollenwerk. Cyber-Physical Systems - eine Herausforderung für die Automatisierungstechnik? In *Proceedings of Automation 2012, VDI Berichte 2012*, Seiten 113-116. VDI Verlag, 2012.
- [KRV06] Holger Krahn, Bernhard Rumpe, and Steven Völkel. Roles in Software Development using Domain Specific Modelling Languages. In *Domain-Specific Modeling Workshop (DSM’06)*, Technical Report TR-37, pages 150–158. Jyväskylä University, Finland, 2006.

- [KRV07a] Holger Krahn, Bernhard Rumpe, and Steven Völkel. Efficient Editor Generation for Compositional DSLs in Eclipse. In *Domain-Specific Modeling Workshop (DSM'07)*, Technical Reports TR-38. Jyväskylä University, Finland, 2007.
- [KRV07b] Holger Krahn, Bernhard Rumpe, and Steven Völkel. Integrated Definition of Abstract and Concrete Syntax for Textual Languages. In *Conference on Model Driven Engineering Languages and Systems (MODELS'07)*, LNCS 4735, pages 286–300. Springer, 2007.
- [KRV08] Holger Krahn, Bernhard Rumpe, and Steven Völkel. Monticore: Modular Development of Textual Domain Specific Languages. In *Conference on Objects, Models, Components, Patterns (TOOLS-Europe'08)*, LNBIP 11, pages 297–315. Springer, 2008.
- [KRV10] Holger Krahn, Bernhard Rumpe, and Steven Völkel. MontiCore: a Framework for Compositional Development of Domain Specific Languages. *International Journal on Software Tools for Technology Transfer (STTT)*, 12(5):353–372, September 2010.
- [KRV14] Holger Krahn, Bernhard Rumpe, and Steven Völkel. Roles in Software Development using Domain Specific Modeling Languages. In *Proceedings of the 6th OOPSLA Workshop on Domain-Specific Modeling (DSM'06)*. CoRR arXiv, 2014.
- [KRW20] Oliver Kautz, Bernhard Rumpe, and Andreas Wortmann. Automated semantics-preserving parallel decomposition of finite component and connector architectures. *Automated Software Engineering*, 27:119–151, April 2020.
- [LMK⁺11] Philipp Leusmann, Christian Möllering, Lars Klack, Kai Kasugai, Bernhard Rumpe, and Martina Ziefle. Your Floor Knows Where You Are: Sensing and Acquisition of Movement Data. In Arkady Zaslavsky, Panos K. Chrysanthis, Dik Lun Lee, Dipanjan Chakraborty, Vana Kalogeraki, Mohamed F. Mokbel, and Chi-Yin Chow, editors, *12th IEEE International Conference on Mobile Data Management (Volume 2)*, pages 61–66. IEEE, June 2011.
- [LRSS10] Tihamer Levendovszky, Bernhard Rumpe, Bernhard Schätz, and Jonathan Sprinkle. Model Evolution and Management. In *Model-Based Engineering of Embedded Real-Time Systems Workshop (MBEERTS'10)*, LNCS 6100, pages 241–270. Springer, 2010.
- [MKB⁺19] Felix Mannhardt, Agnes Koschmider, Nathalie Baracaldo, Matthias Weidlich, and Judith Michael. Privacy-Preserving Process Mining: Differential Privacy for Event Logs. *Business & Information Systems Engineering*, 61(5):1–20, October 2019.
- [MKM⁺19] Judith Michael, Agnes Koschmider, Felix Mannhardt, Nathalie Baracaldo, and Bernhard Rumpe. User-Centered and Privacy-Driven Process Mining System Design for IoT. In Cinzia Cappiello and Marcela Ruiz, editors, *Proceedings of CAiSE Forum 2019: Information Systems Engineering in Responsible Information Systems*, pages 194–206. Springer, June 2019.
- [MM13] Judith Michael and Heinrich C. Mayr. Conceptual modeling for ambient assistance. In *Conceptual Modeling - ER 2013*, LNCS 8217, pages 403–413. Springer, 2013.
- [MM15] Judith Michael and Heinrich C. Mayr. Creating a domain specific modelling method for ambient assistance. In *International Conference on Advances in ICT for Emerging Regions (ICTer2015)*, pages 119–124. IEEE, 2015.

- [MMR10] Tom Mens, Jeff Magee, and Bernhard Rumpe. Evolving Software Architecture Descriptions of Critical Systems. *IEEE Computer*, 43(5):42–48, May 2010.
- [MMR⁺17] Heinrich C. Mayr, Judith Michael, Suneth Ranasinghe, Vladimir A. Shekhovtsov, and Claudia Steinberger. *Model Centered Architecture*, pages 85–104. Springer International Publishing, 2017.
- [MNRV19] Judith Michael, Lukas Netz, Bernhard Rumpe, and Simon Varga. Towards Privacy-Preserving IoT Systems Using Model Driven Engineering. In Nicolas Ferry, Antonio Cicchetti, Federico Ciccozzi, Arnor Solberg, Manuel Wimmer, and Andreas Wortmann, editors, *Proceedings of MODELS 2019. Workshop MDE4IoT*, pages 595–614. CEUR Workshop Proceedings, September 2019.
- [MRR10] Shahar Maoz, Jan Oliver Ringert, and Bernhard Rumpe. A Manifesto for Semantic Model Differencing. In *Proceedings Int. Workshop on Models and Evolution (ME'10)*, LNCS 6627, pages 194–203. Springer, 2010.
- [MRR11a] Shahar Maoz, Jan Oliver Ringert, and Bernhard Rumpe. ADDiff: Semantic Differencing for Activity Diagrams. In *Conference on Foundations of Software Engineering (ESEC/FSE '11)*, pages 179–189. ACM, 2011.
- [MRR11b] Shahar Maoz, Jan Oliver Ringert, and Bernhard Rumpe. An Operational Semantics for Activity Diagrams using SMV. Technical Report AIB-2011-07, RWTH Aachen University, Aachen, Germany, July 2011.
- [MRR11c] Shahar Maoz, Jan Oliver Ringert, and Bernhard Rumpe. CD2Alloy: Class Diagrams Analysis Using Alloy Revisited. In *Conference on Model Driven Engineering Languages and Systems (MODELS'11)*, LNCS 6981, pages 592–607. Springer, 2011.
- [MRR11d] Shahar Maoz, Jan Oliver Ringert, and Bernhard Rumpe. CDDiff: Semantic Differencing for Class Diagrams. In Mira Mezini, editor, *ECOOP 2011 - Object-Oriented Programming*, pages 230–254. Springer Berlin Heidelberg, 2011.
- [MRR11e] Shahar Maoz, Jan Oliver Ringert, and Bernhard Rumpe. Modal Object Diagrams. In *Object-Oriented Programming Conference (ECOOP'11)*, LNCS 6813, pages 281–305. Springer, 2011.
- [MRR11f] Shahar Maoz, Jan Oliver Ringert, and Bernhard Rumpe. Semantically Configurable Consistency Analysis for Class and Object Diagrams. In *Conference on Model Driven Engineering Languages and Systems (MODELS'11)*, LNCS 6981, pages 153–167. Springer, 2011.
- [MRR11g] Shahar Maoz, Jan Oliver Ringert, and Bernhard Rumpe. Summarizing Semantic Model Differences. In Bernhard Schätz, Dirk Deridder, Alfonso Pierantonio, Jonathan Sprinkle, and Dalila Tamzalit, editors, *ME 2011 - Models and Evolution*, October 2011.
- [MRR13] Shahar Maoz, Jan Oliver Ringert, and Bernhard Rumpe. Synthesis of Component and Connector Models from Crosscutting Structural Views. In Meyer, B. and Baresi, L. and Mezini, M., editor, *Joint Meeting of the European Software Engineering Conference and the ACM SIGSOFT Symposium on the Foundations of Software Engineering (ESEC/FSE'13)*, pages 444–454. ACM New York, 2013.

- [MRR14a] Shahar Maoz, Jan Oliver Ringert, and Bernhard Rumpe. Synthesis of Component and Connector Models from Crosscutting Structural Views (extended abstract). In Wilhelm Hasselbring and Nils Christian Ehmke, editors, *Software Engineering 2014*, LNI 227, pages 63–64. Gesellschaft für Informatik, Köllen Druck+Verlag GmbH, 2014.
- [MRR14b] Shahar Maoz, Jan Oliver Ringert, and Bernhard Rumpe. Verifying Component and Connector Models against Crosscutting Structural Views. In *Software Engineering Conference (ICSE'14)*, pages 95–105. ACM, 2014.
- [MRV20] Judith Michael, Bernhard Rumpe, and Simon Varga. Human behavior, goals and model-driven software engineering for assistive systems. In Agnes Koschmidler, Judith Michael, and Bernhard Thalheim, editors, *Enterprise Modeling and Information Systems Architectures (EMSIA 2020)*, pages 11–18. CEUR Workshop Proceedings, June 2020.
- [MS17] Judith Michael and Claudia Steinberger. Context modeling for active assistance. In Cristina Cabanillas, Sergio España, and Siamak Farshidi, editors, *Proc. of the ER Forum 2017 and the ER 2017 Demo Track co-located with the 36th Int. Conference on Conceptual Modelling (ER 2017)*, pages 221–234, 2017.
- [MSNRR16] Pedram Mir Seyed Nazari, Alexander Roth, and Bernhard Rumpe. An Extended Symbol Table Infrastructure to Manage the Composition of Output-Specific Generator Information. In *Modellierung 2016 Conference*, LNI 254, pages 133–140. Bonner Köllen Verlag, March 2016.
- [NPR13] Antonio Navarro Pérez and Bernhard Rumpe. Modeling Cloud Architectures as Interactive Systems. In *Model-Driven Engineering for High Performance and Cloud Computing Workshop*, CEUR Workshop Proceedings 1118, pages 15–24, 2013.
- [PFR02] Wolfgang Pree, Marcus Fontoura, and Bernhard Rumpe. Product Line Annotations with UML-F. In *Software Product Lines Conference (SPLC'02)*, LNCS 2379, pages 188–197. Springer, 2002.
- [PR94] Barbara Paech and Bernhard Rumpe. A new Concept of Refinement used for Behaviour Modelling with Automata. In *Proceedings of the Industrial Benefit of Formal Methods (FME'94)*, LNCS 873, pages 154–174. Springer, 1994.
- [PR99] Jan Philipps and Bernhard Rumpe. Refinement of Pipe-and-Filter Architectures. In *Congress on Formal Methods in the Development of Computing System (FM'99)*, LNCS 1708, pages 96–115. Springer, 1999.
- [PR01] Jan Philipps and Bernhard Rumpe. Roots of Refactoring. In Kilov, H. and Baclavski, K., editor, *Tenth OOPSLA Workshop on Behavioral Semantics. Tampa Bay, Florida, USA, October 15*. Northeastern University, 2001.
- [PR03] Jan Philipps and Bernhard Rumpe. Refactoring of Programs and Specifications. In Kilov, H. and Baclavski, K., editor, *Practical Foundations of Business and System Specifications*, pages 281–297. Kluwer Academic Publishers, 2003.
- [Rin14] Jan Oliver Ringert. *Analysis and Synthesis of Interactive Component and Connector Systems*. Aachener Informatik-Berichte, Software Engineering, Band 19. Shaker Verlag, 2014.

- [RK96] Bernhard Rumpe and Cornel Klein. Automata Describing Object Behavior. In B. Harvey and H. Kilov, editors, *Object-Oriented Behavioral Specifications*, pages 265–286. Kluwer Academic Publishers, 1996.
- [RKB95] Bernhard Rumpe, Cornel Klein, and Manfred Broy. Ein strombasiertes mathematisches Modell verteilter informationsverarbeitender Systeme - Syslab-Systemmodell. Technischer Bericht TUM-I9510, TU München, Deutschland, März 1995.
- [RR11] Jan Oliver Ringert and Bernhard Rumpe. A Little Synopsis on Streams, Stream Processing Functions, and State-Based Stream Processing. *International Journal of Software and Informatics*, 2011.
- [RRRW15] Jan Oliver Ringert, Alexander Roth, Bernhard Rumpe, and Andreas Wortmann. Language and Code Generator Composition for Model-Driven Engineering of Robotics Component & Connector Systems. *Journal of Software Engineering for Robotics (JOSE)*, 6(1):33–57, 2015.
- [RRSW17] Jan Oliver Ringert, Bernhard Rumpe, Christoph Schulze, and Andreas Wortmann. Teaching Agile Model-Driven Engineering for Cyber-Physical Systems. In *International Conference on Software Engineering: Software Engineering and Education Track (ICSE'17)*, pages 127–136. IEEE, May 2017.
- [RRW13a] Jan Oliver Ringert, Bernhard Rumpe, and Andreas Wortmann. From Software Architecture Structure and Behavior Modeling to Implementations of Cyber-Physical Systems. In *Software Engineering Workshopband (SE'13)*, LNI 215, pages 155–170, 2013.
- [RRW13b] Jan Oliver Ringert, Bernhard Rumpe, and Andreas Wortmann. MontiArcAutomaton: Modeling Architecture and Behavior of Robotic Systems. In *Conference on Robotics and Automation (ICRA'13)*, pages 10–12. IEEE, 2013.
- [RRW14] Jan Oliver Ringert, Bernhard Rumpe, and Andreas Wortmann. *Architecture and Behavior Modeling of Cyber-Physical Systems with MontiArcAutomaton*. Aachener Informatik-Berichte, Software Engineering, Band 20. Shaker Verlag, December 2014.
- [RSW⁺15] Bernhard Rumpe, Christoph Schulze, Michael von Wenckstern, Jan Oliver Ringert, and Peter Manhart. Behavioral Compatibility of Simulink Models for Product Line Maintenance and Evolution. In *Software Product Line Conference (SPLC'15)*, pages 141–150. ACM, 2015.
- [Rum96] Bernhard Rumpe. *Formale Methodik des Entwurfs verteilter objektorientierter Systeme*. Herbert Utz Verlag Wissenschaft, München, Deutschland, 1996.
- [Rum02] Bernhard Rumpe. Executable Modeling with UML - A Vision or a Nightmare? In T. Clark and J. Warmer, editors, *Issues & Trends of Information Technology Management in Contemporary Associations*, Seattle, pages 697–701. Idea Group Publishing, London, 2002.
- [Rum03] Bernhard Rumpe. Model-Based Testing of Object-Oriented Systems. In *Symposium on Formal Methods for Components and Objects (FMCO'02)*, LNCS 2852, pages 380–402. Springer, November 2003.

- [Rum04] Bernhard Rumpe. Agile Modeling with the UML. In *Workshop on Radical Innovations of Software and Systems Engineering in the Future (RISSEF'02)*, LNCS 2941, pages 297–309. Springer, October 2004.
- [Rum11] Bernhard Rumpe. *Modellierung mit UML, 2te Auflage*. Springer Berlin, September 2011.
- [Rum12] Bernhard Rumpe. *Agile Modellierung mit UML: Codegenerierung, Testfälle, Refactoring, 2te Auflage*. Springer Berlin, Juni 2012.
- [Rum13] Bernhard Rumpe. Towards Model and Language Composition. In Benoit Combemale, Walter Cazzola, and Robert Bertrand France, editors, *Proceedings of the First Workshop on the Globalization of Domain Specific Languages*, pages 4–7. ACM, 2013.
- [Rum16] Bernhard Rumpe. *Modeling with UML: Language, Concepts, Methods*. Springer International, July 2016.
- [Rum17] Bernhard Rumpe. *Agile Modeling with UML: Code Generation, Testing, Refactoring*. Springer International, May 2017.
- [RW18] Bernhard Rumpe and Andreas Wortmann. Abstraction and Refinement in Hierarchically Decomposable and Underspecified CPS-Architectures. In Lohstroh, Marten and Derler, Patricia Sirjani, Marjan, editor, *Principles of Modeling: Essays Dedicated to Edward A. Lee on the Occasion of His 60th Birthday*, LNCS 10760, pages 383–406. Springer, 2018.
- [Sch12] Martin Schindler. *Eine Werkzeuginfrastruktur zur agilen Entwicklung mit der UML/P*. Aachener Informatik-Berichte, Software Engineering, Band 11. Shaker Verlag, 2012.
- [SHH⁺20] Günther Schuh, Constantin Häfner, Christian Hopmann, Bernhard Rumpe, Matthias Brockmann, Andreas Wortmann, Judith Maibaum, Manuela Dalibor, Pascal Bibow, Patrick Sapel, and Moritz Kröger. Effizientere Produktion mit Digitalen Schatten. *ZWF Zeitschrift für wirtschaftlichen Fabrikbetrieb*, 115(special):105–107, April 2020.
- [SM18] Claudia Steinberger and Judith Michael. Towards Cognitive Assisted Living 3.0. In *International Conference on Pervasive Computing and Communications Workshops (PerCom Workshops 2018)*, pages 687–692. IEEE, march 2018.
- [SM20] Claudia Steinberger and Judith Michael. Using Semantic Markup to Boost Context Awareness for Assistive Systems. In *Smart Assisted Living: Toward An Open Smart-Home Infrastructure*, Computer Communications and Networks, pages 227–246. Springer International Publishing, 2020.
- [SRVK10] Jonathan Sprinkle, Bernhard Rumpe, Hans Vangheluwe, and Gabor Karsai. Metamodeling: State of the Art and Research Challenges. In *Model-Based Engineering of Embedded Real-Time Systems Workshop (MBERTS'10)*, LNCS 6100, pages 57–76. Springer, 2010.
- [THR⁺13] Ulrike Thomas, Gerd Hirzinger, Bernhard Rumpe, Christoph Schulze, and Andreas Wortmann. A New Skill Based Robot Programming Language Using UML/P Statecharts. In *Conference on Robotics and Automation (ICRA'13)*, pages 461–466. IEEE, 2013.

- [Völ11] Steven Völkel. *Kompositionale Entwicklung domänenspezifischer Sprachen*. Aachener Informatik-Berichte, Software Engineering, Band 9. Shaker Verlag, 2011.
- [Wei12] Ingo Weisemöller. *Generierung domänenspezifischer Transformationssprachen*. Aachener Informatik-Berichte, Software Engineering, Band 12. Shaker Verlag, 2012.
- [ZPK⁺11] Massimiliano Zanin, David Perez, Dimitrios S Kolovos, Richard F Paige, Kumardev Chatterjee, Andreas Horst, and Bernhard Rumpe. On Demand Data Analysis and Filtering for Inaccurate Flight Trajectories. In *Proceedings of the SESAR Innovation Days*. EUROCONTROL, 2011.