

No.

303/NOR 43

4. prolongation

**CERTIFICATE OF JUMPING HILL  
CERTIFICAT DE CONFORMITE  
SCHANZENPROFILBESTÄTIGUNG**

Date of issue 21.11.2022  
Établi le  
Ausgestellt am

Valid till 30.04.2027  
Valable jusqu' au  
Gültig bis

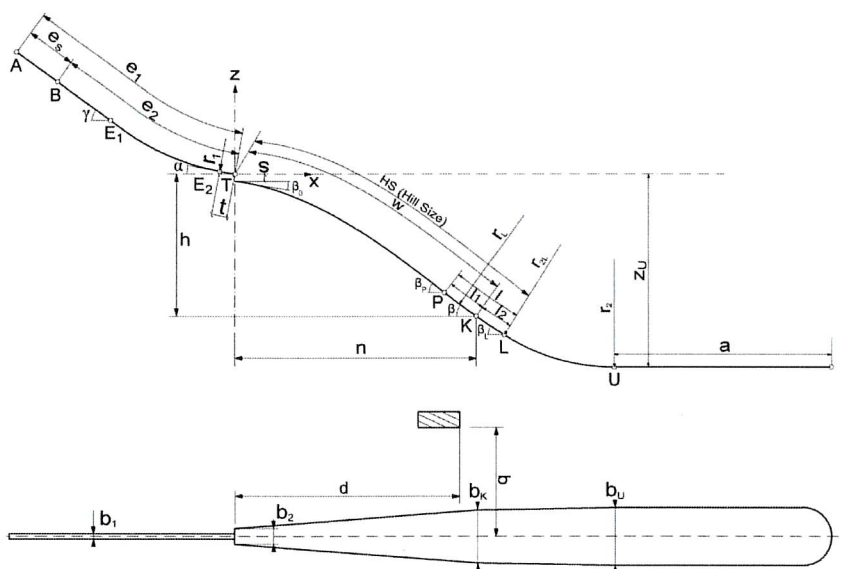
Place: Lillehammer

Name: Lysgårdsbakkene

HS = 140 m

h/n = 0,574

Vo = 25,50 m/s



$e_1 = 104,05 \text{ m}$

$s = 3,35 \text{ m}$

$z_U = 85,10 \text{ m}$

$e_2 = 79,35 \text{ m}$

$l_1 = 14,54 \text{ m}$

$P = 108,00 \text{ m}$

$e_s = 24,70 \text{ m}$  32 gate è 79cm (44/64cm)

$l_2 = 17,00 \text{ m}$

$K = 123,00 \text{ m}$

$t = 6,25 \text{ m}$

$a = 90/100 \text{ m}$

$L = 140,00 \text{ m}$

$\gamma = 34,00^\circ$

$\beta_p = 37,20^\circ$

$b_1 = 3,04 \text{ m}$

$\alpha = 11,50^\circ$

$\beta = 34,30^\circ$

$b_K = 25,70 \text{ m}$

$r_1 = 107,00 \text{ m}$

$\beta_L = 31,50^\circ$

$b_U = 26,60 \text{ m}$

$h = 60,93 \text{ m}$

$r_L = 334,50 \text{ m}$

$d = 76,90 \text{ m}$

$n = 106,14 \text{ m}$

$r_2 = 105,50 \text{ m}$

$q = 57,00 \text{ m}$

**Remarks / Bemerkungen**

1. inspection by Pekka Hyvärinen (22th August 2022)
2. the remarks of the inspection-report must be observed and fulfilled for the validity of certification.
3. for the standards for the construction of jumping hills (ICR) the owner is responsible during the training and competition.
4. in front of the take off table placing of soft damp mats during training and competition.

JUMPING HILL APPROVED BY THE FIS  
TREMPLEIN HOMOLOGUE PAR LA FIS  
DURCH DIE FIS GENEHMIGTE SPRUNGSCHANZE

SUB-COMMITTEE FOR JUMPING HILLS

CHAIRMAN:



Hans-Martin Renn