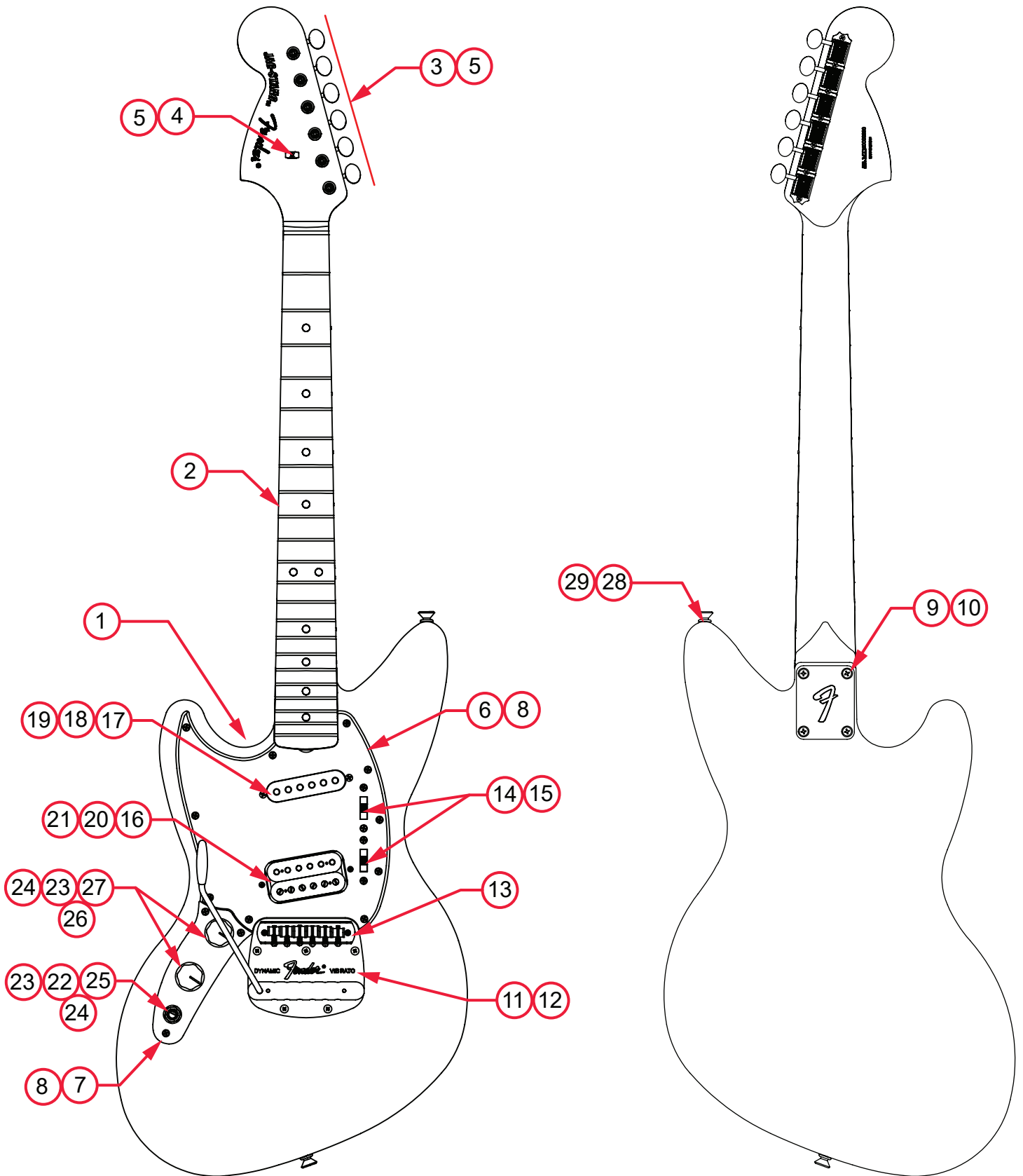


KURT COBAIN JAG-STANG™ LH

(014-1050-XXX)

PARTS LAYOUT



KURT COBAIN JAG-STANG™ LH

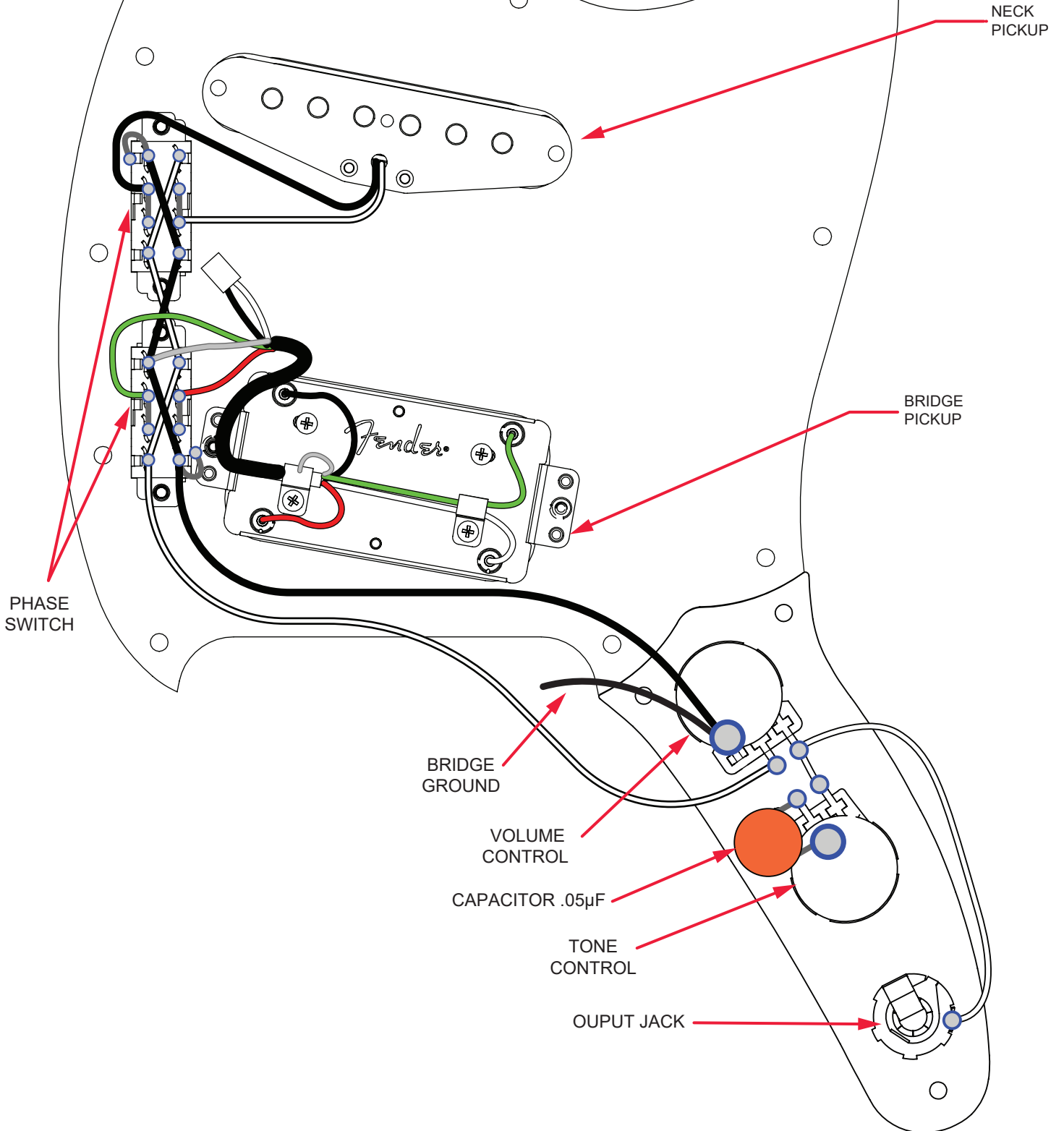
(014-1050-XXX)

PARTS LIST

REF #	DESCRIPTION	PART NUMBER
1	BODY JAGSTANG LH NSNB	7722229572
	BODY JAGSTANG LH FRD	7722229540
2	NECK JAGSTANG LH RW	7722230000
3	KEY, VINT SET PING LH	0047912030
4	AM VINTAGE STRING TREE KIT	0992083000
5	SCRW SMAB 3x3/8 RHP NI	0011357049
6	PG K COBAIN JAGSTANG AGED WHITE PEARL LH	7721886000
7	CONTROL PLATE MUSTANG LH	7721743000
8	SCRW SMAB 4x1/2 OHP NI	0015578049
9	NECK PLATE - 'F', CHROME	0991448100
10	SCRW SMA 8x1-1/2 OHP NI	0094577000
11	MUSTANG BRIDGE DYNAMIC VIBRATO LH KR	7721959000
12	SCRW WOOD 6x1 OHP NI	0016188049
13	BRIDGE ASSY MUSTANG	7716104000
14	SWITCH SLIDE WHITE SW 323 4/40	0017087000
15	SCRW M 4-40x1/4 OHP NI	0015719049
16	PICKUP ASSY SHAWBUCKER 1E WHITE (KR)	7718335000
17	NECK PICKUP ASSY 65 STRAT WHITE LH	7721945000
18	SCRW TF 6-32x3/4 RHP STL NI	0048631049
19	PICKUP TUBING	0994916000
20	SCREW M#3-48x13/16 RHP#4 HD ZA (12)	0050166049
21	SPRING BRIDGE TELE (12)	0019242049
22	WSHR FLAT 3/8x.614 NI	0031153049
23	NUT HEX 3/8-32x3/32 TK NI	0016352049
24	WASHER LOCK INTL 3/8 X .687	0016436049
25	JACK PHONE 1/4 - OUTPUT	0047329049
26	KNOB LARGE SKIRTED BLACK	0019455049
27	ORIG T/V CNTRL 250K SOLID SHFT	0990831000
28	ORIGINAL STRAP BUTTONS	0994915000
29	SCRW SMAB 5x1 OHP NI	0015610049



KURT COBAIN JAG-STANG™ LH
(014-1050-XXX)
WIRING DIAGRAM

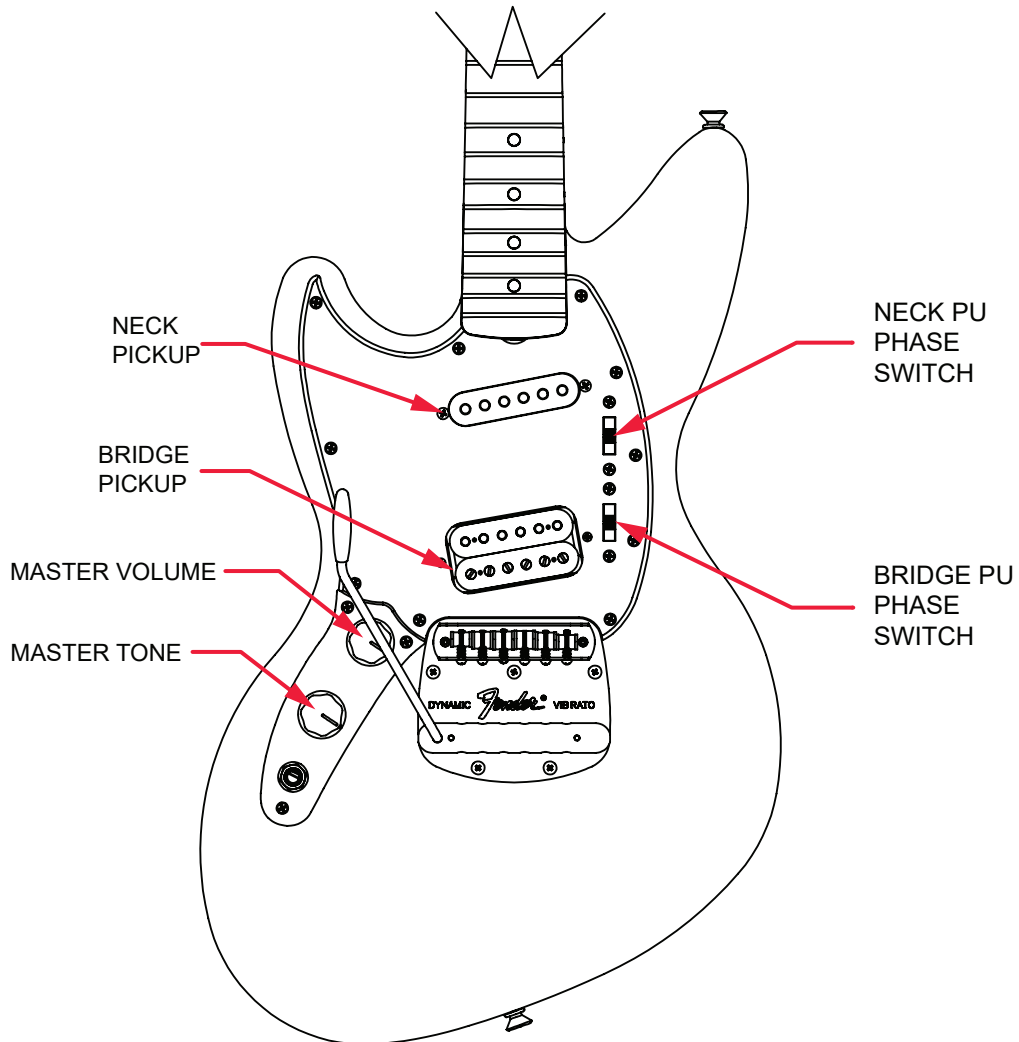


KURT COBAIN JAG-STANG™ LH

(014-1050-XXX)

SWITCH AND CONTROL FUNCTION

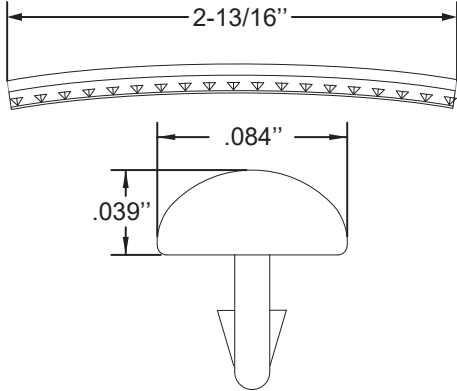
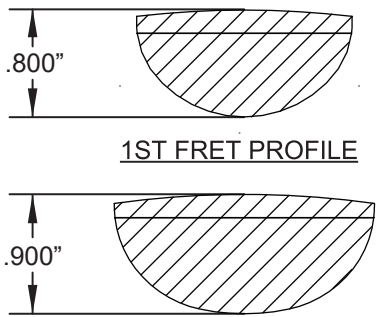
PHASE SWITCH POSITION									
									SWITCH POSITION
									← NECK PICKUP
									← BRIDGE PICKUP
PICKUP IS ON PICKUP IS OFF					INDICATES POSITION OF SWITCH				

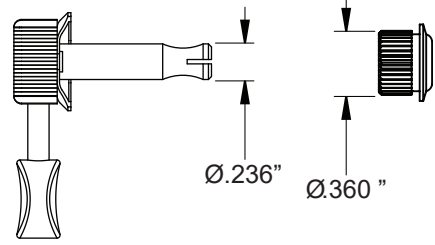
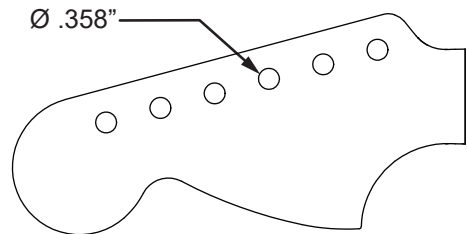


KURT COBAIN JAG-STANG™ LH

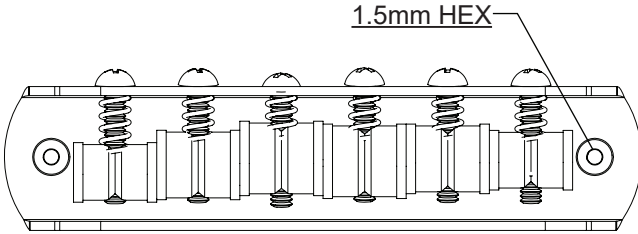
(014-1050-XXX)

ADDITIONAL SPECIFICATION DETAIL

<p>FRET SIZE: VINTAGE (FRET DIMENSIONS ARE BEFORE INSTALLATION)</p> 	<p>PLEASE NOTE: AS EACH NECK IS SANDED & FINISHED BY HAND, THICKNESS DIMENSIONS MAY VARY SLIGHTLY FROM THOSE SHOWN.</p>	<p>NECK PROFILE: "C"</p>  <p>1ST FRET PROFILE</p> <p>12TH FRET PROFILE</p>
--	---	--

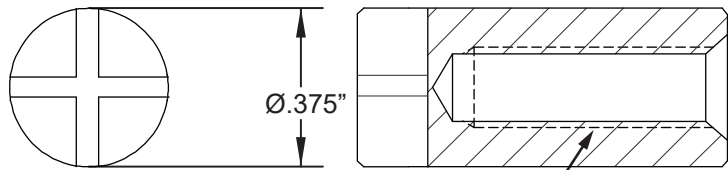
<p>KEY, VINT ST PING. P/N 0047912030 BUSHING KEY VINT PING P/N 0053020000</p>  <p>Ø.236" Ø.360"</p>	<p>TUNING MACHINE THRU-HOLE INNER DIAMETER .358"</p>  <p>Ø .358"</p>
--	---

SADDLE HEIGHT ADJUSTMENT WRENCH:
0050919000 - HEX KEY 1.5mm



1.5mm HEX


TRUSS ROD NUT P/N 0012252000



Ø.375"

10-32 THREAD

LOGO: DECAL FENDER JAG-STANG LH
APPLIED UNDER THE FINISH



PICKUP SPECIFICATIONS			
POSITION	MAGNETS	DC RESISTANCE	POLARITY
NECK	ALNICO 5 UNBEVELED	5.6 - 5.8KΩ	SOUTH
BRIDGE	ALNICO 2	7.5 - 7.7KΩ	SOUTH NORTH